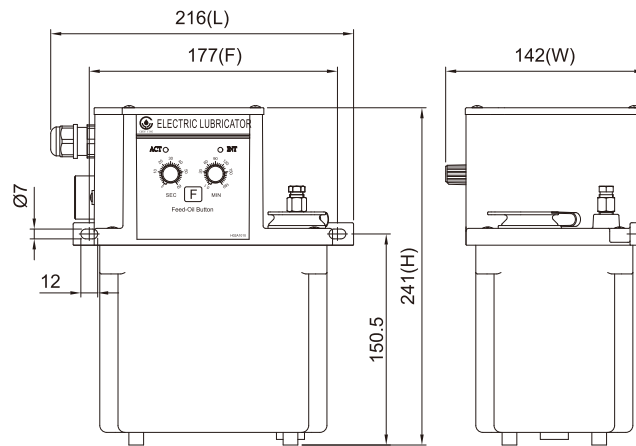


CEWB Type Pressure-Relief Electric Lubricator



CEWB-01



CEWB-01 Standard Externals

◆ Features

1. The time adjuster of CEWB is outside of the wiring box. The operation time and interval time can be adjusted easily as need.
2. CEWB type pressure-relief lubricator has time memory function that can automatically memorize the original operation and interval time settings. If the power is suddenly off, both indicators will continue the cycle after the power is back.
3. Two operation models of CEWB are available: Turn On-Feeding or Turn On-Interval. Turn On-Feeding type will feed oil after turning on the power. Turn On-Interval type will be interval after turning on the power.
4. Recommend to work with volume distributors. When CEWB works with CAB or CBB type volume distributors, the oil discharges during operation time. When CEWB works with CDB or T type volume distributors, the oil discharges during interval time.
5. It can make sure each lubricating point has equal discharge amount of oil while works with volume distributors.
6. It has a float switch that can detect the oil volume. When the oil is lower than minimum level, the float switch will send continuous signal and the buzzer will alarm.
7. CEWB has a feed-oil button that can manually feed oil. Do not press the feed-oil button more than 3 minutes in order to avoid overloading. When the temperature of motor reaches 100°C, the sensor will be on to stop the motor continue running about 5 minutes.

◆ Application of Machines Equipment

1. CEWB Turn On-Feeding Type is suitable for the machinery that needs automatically oil feeding after turning on the power.
2. CEWB Turn On-Interval Type is suitable for the machinery that has to avoid feeding oil immediately after turning on the power.

Model	Act Time	Interval Time	Motor Output Watt	Max Volume	Max Pressure	1Ø Voltage	Ampere	Hertz	Discharge Bore	Time Adjuster	Float Switch	Buzzer	Oil Viscosity
CEWB	3-60 sec	1-60min or 1-180min	30±3W	130 cc/min	15kgf/cm ²	110V 220V	2A 1A	60Hz or 50Hz	Ø4orØ6	Outside The Wiring Box	○	○	32-68cSt@40°C

Model	Tank Code	Tank Material	Capacity Liters	Fixed Hole Distance(mm)	Length (mm)	Width (mm)	Height (mm)	Weight (kg)
CEWB	01	Resin	2L	177	216	142	241	3.6
	02	Aluminum	2L	95 x 200	225	151	232	4.8
	03	Resin	3L	205	230	167	246	4.1
	04	Resin	4L	250	277	162	264	4.7
	05	Aluminum	4L	95 x 280	297	170	251	5.6
	08	Iron	8L	95 x 338	355	200	272	8.5

CEWB Single Phase Wiring Diagram

Abnormal Output			Ground	Power
NO(A)	NC(B)	COM	GND(P.E)	POWER
⊕	⊕	⊕	⊕	⊕ ⊕

◆ Order code :

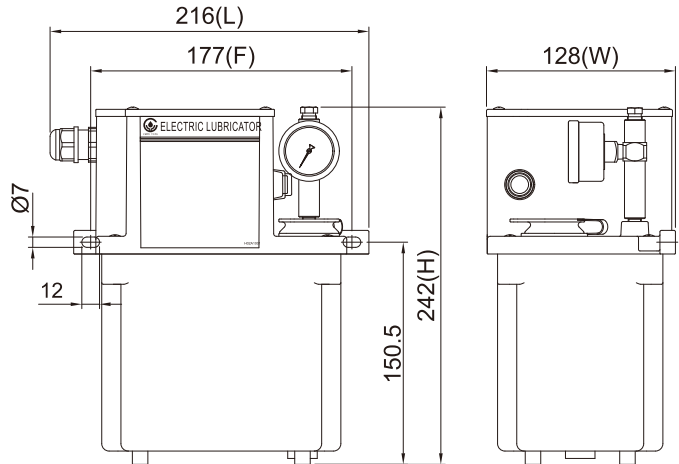
CE	WB	01	2	C	1	2	※
Tank Capacity(Material)		Time (Act x Interval)	Voltage	Discharge Bore	Operation Model	Special Request	
01 : 2L (Resin)		1 : 1 min x 60 min	A : 110V,60Hz	0 : Ø4	1 : Turn on-Feeding	※Z: Increase the	
02 : 2L (Aluminum)		2 : 1 min x 180 min	B : 220V,50Hz	1 : Ø6	2 : Turn on-Interval	discharge volume	
03 : 3L (Resin)		3 : 1 min x 12 hours	C : 220V,60Hz	2 : Ø4 (With Pressure Gauge)		to 260cc/min	
04 : 4L (Resin)		4 : 1 min x 72 hours		3 : Ø6 (With Pressure Gauge)			
05 : 4L (Aluminum)							
08 : 8L (Iron)							

CEWB Type Pressure-Relief Electric Lubricator

CEN03 Type Pressure-Relief PLC Electric Lubricator



CEN03-01 Standard



CEN03-01 Standard Externals

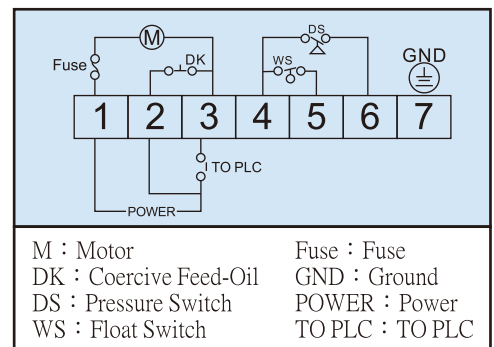
◆ Features

1. CEN03 type is without timer (also could be controlled by Programmable Logic Controller) and has to work with volume distributors. With CAB or CBB type volume distributor, oil will feed during operation time. With CDB or T type volume distributor, oil will feed during interval time.
2. The discharge volume is fixed. The lubrication points of volume distributor supply a fixed flow of oil.
3. It has a spark-eliminator inside to prevent the sparks producing when the electric current is running. The spark-eliminator can avoid PLC (Programmable Logic Controller) being interfered.
4. CEN03 type has a pressure switch device and been set up as 8kg/cm², which assures the oil volume of lubrication point and check if the piping works normally. The standard specification is NC (Normal Close) contact, which means if the pressure is abnormal, it will have signal. NO (Normal Open) contact is available on request.
5. It has a float switch that can detect the oil volume. When oil is lower than the minimum level, the float switch will automatically send a continuous signal.
6. It has a pressure gauge where an operator can check the pressure easily.
7. Please don't press the force feed-oil (F) button more than three minutes in order to avoid overloading. When the temperature reaches 100°C, the sensor will be on to stop the motor continue running about 5 minutes.
8. Its function is similar to CEN04 type. The difference is that CEN03 type is without timer and CEN04 type is controlled by a timer. CEN01 and CEN02 types are resistance type lubricators.

◆ Application of Machines Equipment

1. It can be used for the machines requiring strictly rationing oil flow.
2. It is usually used for such as processing machines or projecting machines.

CEN03 Type Single Phase Wiring Diagram



Model	Tank Code	Tank Material	Capacity Liters	Fixed Hole Distance(mm)	Length (mm)	Width (mm)	Height (mm)	Weight (kg)
CEN03	01	Resin	2 L	177	216	128	242	3.80
	02	Aluminum	2 L	95 x 200	225	151	233	4.55
	03	Resin	3 L	205	230	167	247	4.35
	04	Resin	4 L	250	277	162	265	4.75
	05	Aluminum	4 L	95 x 280	297	170	252	5.90
	08	Iron	8 L	95 x 338	355	200	273	8.65

Model	Act Time	Interval Time	Motor Output Watt	Max Volume	Max Pressure	1Ø Voltage	Ampere	Hertz	Discharge Bore	Oil Viscosity
CEN03	Control By PLC		30±3W	130 cc/min	15kgf/cm ²	110V 220V	2A 1A	60Hz or 50Hz	Ø4 or Ø6	32-68cSt@40°C

◆ Order code :

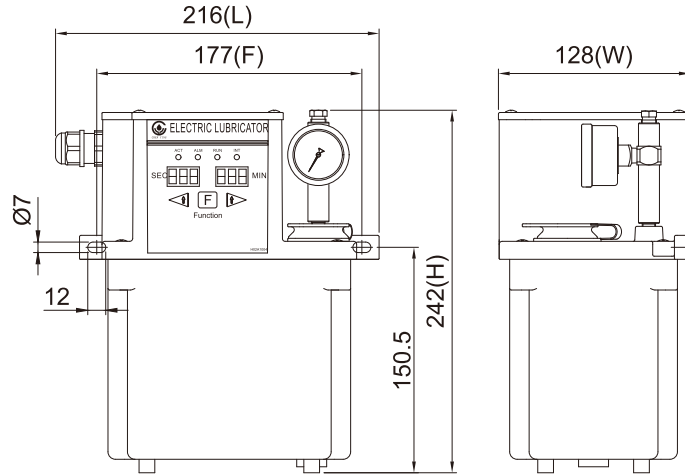
CEN 03	01	C	3	※
Model 03 : Pressure-Relief Type, Controlled by PLC	Tank Capacity (Material) 01 : 2L (Resin) 02 : 2L (Aluminum) 03 : 3L (Resin) 04 : 4L (Resin) 05 : 4L (Aluminum) 08 : 8L (Iron)	Voltage A : 110V,60Hz B : 220V,50Hz C : 220V,60Hz	Discharge Bore 0 : Ø4 1 : Ø6 2 : Ø4 (With Pressure Gauge) 3 : Ø6 (With Pressure Gauge)	Special Request ※B : Add a Buzzer ※Z : Increase the discharge volume to 260cc/min



CEN04 Type Pressure-Relief Timer Electric Lubricator



CEN04-01 Standard



CEN04-01 Standard Externals

◆ Features

1. CEN04 type has a timer, which controls the operation and interval time. It has operation, abnormal and interval indicators that is easy for visual checking.
2. Recommend to work with volume distributors. If works with CAB or CBB type volume distributors, it will feed oil during operation time. If works with CDB or T type volume distributors, it will feed oil during interval time.
3. The discharge volume is fixed. The lubrication points of volume distributor supply a fixed flow of oil.
4. It has a pressure switch device and been set up as 8kgf/cm², which assures the oil volume of lubrication point and check if the piping works normally. The standard specification is NC (Normal Close) contact, which means if the pressure is abnormal, it will have signal.
5. It has a float switch (NC Contact) that can detect the oil volume. When oil is lower than the minimum level, the float switch will send continuous signal automatically and the buzzer will alarm.
6. It has a pressure gauge where an operator can check the pressure easily.
7. Please don't press the force feed-oil ([F] button) more than three minutes in order to avoid overloading. When the temperature reaches 100°C, the sensor will be on to stop the motor continue running about 5 minutes.
8. Its function is similar to CEN03 type. The difference is that CEN03 type is without timer and CEN04 type is controlled by a timer. CEN01 and CEN02 types are resistance type lubricators.

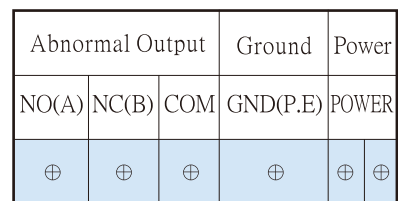
◆ Application of Machines Equipment

1. It can be used for the machines requiring strictly rationing oil flow.
2. It is usually used for such as processing machines or projecting machines.

Model	Act Time	Interval Time	Motor Output Watt	Max Volume	Max Pressure	1Ø Voltage	Ampere	Hertz	Discharge Bore	Oil Viscosity
CEN04	1-999sec	1-999sec 1-999min	30±3W	130 cc/min	15kgf/cm ²	110V 220V	2A 1A	60Hz or 50Hz	Ø4 or Ø6	32-68cSt@40°C

Model	Tank Code	Tank Material	Capacity Liters	Fixed Hole Distance(mm)	Length (mm)	Width (mm)	Height (mm)	Weight (kg)
CEN04	01	Resin	2 L	177	216	128	242	4.00
	02	Aluminum	2 L	95 x 200	225	151	233	5.20
	03	Resin	3 L	205	230	167	247	4.60
	04	Resin	4 L	250	277	162	265	5.20
	05	Aluminum	4 L	95 x 280	297	170	252	6.15
	08	Iron	4 L	95 x 338	355	200	273	8.85

CEN04 Single Phase Wiring Diagram



◆ Order code :

CEN 04	01	2	C	3	※
Model	Tank Capacity(Material)	Time (Act x Interval)	Voltage	Discharge Bore	Special Request
04 : Pressure-Relief Type, Controlled By Timer	01 : 2L (Resin)	1 : sec x sec	A : 110V,60Hz	0 : Ø4	※Z : Increase the discharge volume to 260cc/min
	02 : 2L (Aluminum)	2 : sec x min	B : 220V,50Hz	1 : Ø6	
	03 : 3L (Resin)		C : 220V,60Hz	2 : Ø4 (With Pressure Gauge)	
	04 : 4L (Resin)			3 : Ø6 (With Pressure Gauge)	
	05 : 4L (Aluminum)				
	08 : 8L (Iron)				

CEN04 Type Pressure-Relief Electric Lubricator



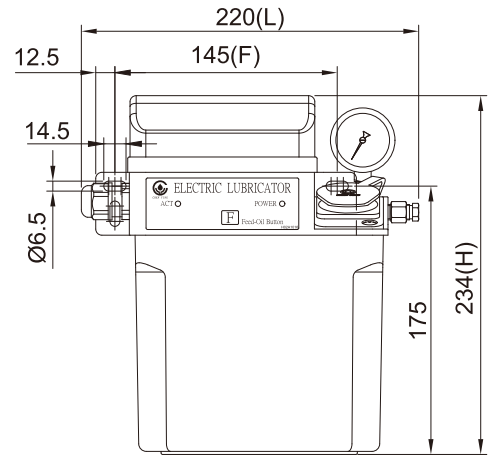
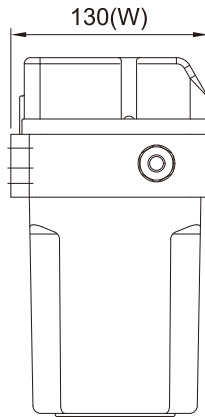
CHEN YING

CESG03 Type Pressure-Relief PLC Electric Lubricator

CESG03 Type Pressure-Relief Electric Lubricator



CESG03-01 Standard



CESG03-03 Standard Externals

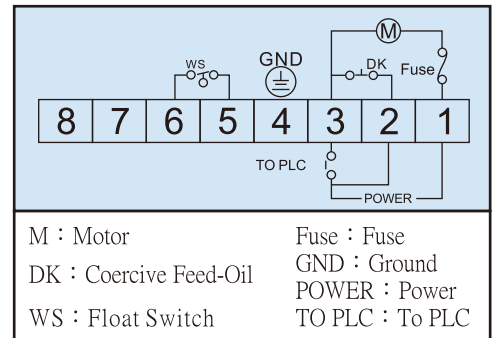
◆ Features

1. CESG03 is pressure-relief type electric lubricator, which can be operated by Programmable Logic Controller (PLC). Recommend to work with volume distributors.
2. The discharge volume is fixed. The lubrication points of volume distributor supply a fixed flow of oil.
3. CESG03 type can be added a pressure switch on request.
4. It has a float switch that can detect the oil volume. When oil is lower than the minimum level, the float switch will automatically send a continuous signal.
5. It has a force feed-oil button (F button), slightly press the F button for three seconds and the oil will feed immediately.
6. Please don't press the force feed-oil button (F button) more than three minutes in order to avoid overloading. When the temperature reaches 100°C, the sensor will be on to stop the motor continue running about 5 minutes.

◆ Application of Machines Equipment

It usually works with Processing or Projecting Machine or Lathe.

CESG-03Type Single Phase Wiring Diagram



Model	Pressure-Relief Device	Act Time	Interval Time	Motor Output Watt	Max Volume	Max Pressure	1Ø Voltage	Ampere	Hertz	Discharge Bore	Pressure Switch	Oil Viscosity
CESG03	○		Controlled by PLC	25±3W	130cc/min	15kgf/cm ²	110V 220V	1.8A 0.9A	60Hz or 50Hz	Ø4 or Ø6	Optional	32-68cSt@40°C
Model	Tank Code	Tank Material	Capacity Liters	Fixed Hole Distance(mm)	Length (mm)	Width (mm)	Height (mm)	Weight(kg)				
CESG03	01	Resin	2 L	145	220	130	234	2.30				
	02	Aluminum	2 L	95 x 200	225	151	225	3.50				
	03	Resin	3 L	205	230	167	239	2.80				
	04	Resin	4 L	250	277	162	257	3.45				
	05	Aluminum	4 L	95 x 280	297	170	252	4.45				
	08	Iron	8 L	95 x 338	355	200	261	7.20				

◆ Order code :

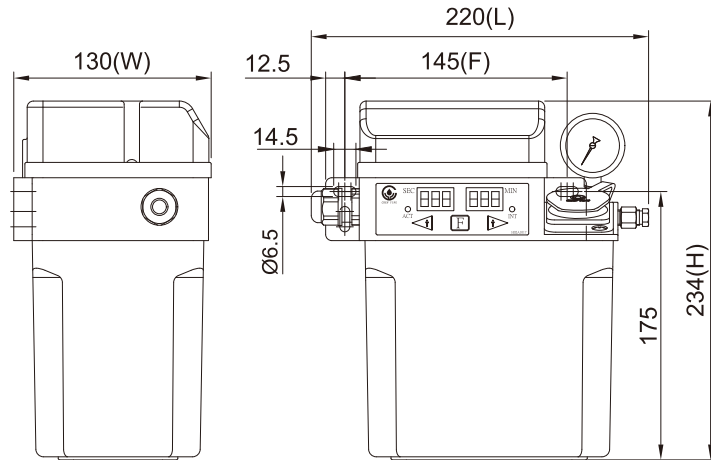
CESG 03 _____ Model 03 : Pressure-Relief Type	01 Tank Capacity (Material) 01 : 2L (Resin) 02 : 2L (Aluminum) 03 : 3L (Resin) 04 : 4L (Resin) 05 : 4L (Aluminum) 08 : 8L (Iron)	C Voltage A : 110V,60Hz B : 220V,50Hz C : 220V,60Hz	3 Discharge Bore 0 : Ø4 1 : Ø6 2 : Ø4 (With Pressure Gauge) 3 : Ø6 (With Pressure Gauge)	※ Special Request ※P : Add a pressure switch NO 8 kgf/cm ² or NC 8 kgf/cm ² ※Z : Increase the discharge volume to 260cc/min
---	---	---	---	--



CESG04 Type Pressure-Relief Electric Lubricator Timer



CESG04-01 Standard



CESG04-01 Standard Externals

◆ Features

1. CESG04 type has a timer and the timer controls operation and interval time. The electronic box has operation and interval indicators.
2. The timer of CESG04 can automatically memorize the operation and interval time. CESG04 is Turn-on-Feeding Type, which is suitable for the machinery that needs automatically oil feeding after turning on the power.
3. Recommend to work with volume distributors. If works with CAB or CBB type volume distributors, it will feed oil during operation time. If works with CDB or T type volume distributors, it will feed oil during interval time.
4. It has a float switch that can detect the oil level. The float switch is NC contact, which will send the signal when the oil level is lower than the standard.
5. It has a feed-oil button (**F** button), press the **F** button and the oil will feed immediately. Please don't press the **F** button more than three minutes in order to avoid overloading. If the temperature reaches 100°C, the sensor will be on to stop the motor running for about 5 minutes.
6. It has a pressure gauge for checking if the pressure is normal.
7. CESG04 standard doesn't have pressure switch or buzzer, but could be added on request.

CESG04 Single Phase Wiring Diagram

Abnormal Output		Ground	Power
NO(A)	NC(B)	COM	GND(P.E) POWER
⊕	⊕	⊕	⊕ ⊕

◆ Application of Machines Equipment

CESG04 is suitable for small machines, such as lathe, milling machine, grinding machine, etc.

Model	Act Time	Interval Time	Motor	Max Volume	Max Pressure	1Ø Voltage	Ampere	Hertz	Discharge Bore	Oil Viscosity
CESG04	001-999 sec	001-999 min 001-999 hr	25±3W	130cc/min	15kgf/cm ²	110V	1.8A	60Hz	Ø4 Ø6	32-68cSt@40°C
						220V	0.9A	50Hz or 60Hz		
Model	Tank Code	Tank Material	Capacity Liters	Fixed Hole Distance(mm)	Length (mm)	Width (mm)	Height (mm)	Weight (kg)		
CESG04	01	Resin	2 L	145	220	130	234	2.53		
	02	Aluminum	2 L	95 x 200	225	151	225	3.70		
	03	Resin	3 L	205	230	167	239	3.00		
	04	Resin	4 L	250	277	162	257	3.65		
	05	Aluminum	4 L	95 x 280	297	170	252	4.65		
	08	Iron	8 L	95 x 338	355	200	261	7.40		

◆ Order code :

CESG 04

01

2

C

3

※

Model
04 : Pressure-Relief
Type, Controlled by
Timer

Tank Capacity(Material)
01 : 2L (Resin)
02 : 2L (Aluminum)
03 : 3L (Resin)
04 : 4L (Resin)
05 : 4L (Aluminum)
08 : 8L (Iron)

Time (Act x Interval)
1 : sec x sec
2 : sec x min
3 : sec x hour

Voltage
A : 110V,60Hz
B : 220V,50Hz
C : 220V,60Hz

Discharge Bore
0 : Ø4
1 : Ø6
2 : Ø4 (With Pressure Gauge)
3 : Ø6 (With Pressure Gauge)

Special Request
※P : Add a pressure
switch
or NO 8 kgf/cm²
NC 8 kgf/cm²
※B : Add a buzzer
※Z : Increase the
discharge volume
to 260cc/min

CESG04 Type Pressure-Relief Electric Lubricator



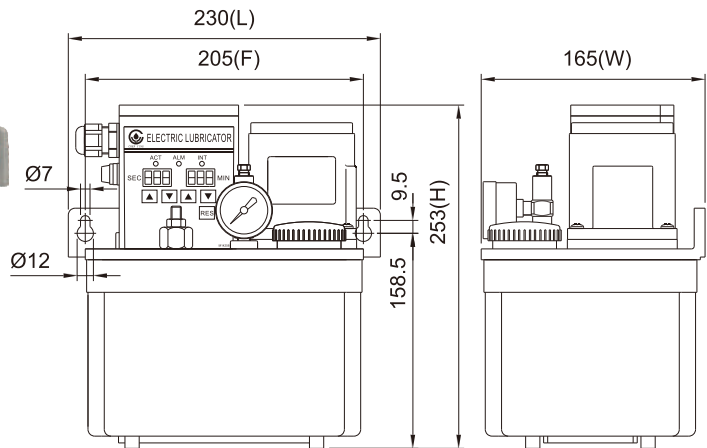
CHEN YING

CENB Type Pressure-Relief Timer Electric Lubricator

CENB Type Pressure-Relief Electric Lubricator



CENB-03 Standard



CENB-03 Standard Externals

◆ **Features**

1. CENB type has a timer, which controls the operation and interval time. It has operation, abnormal and interval indicators that is easy for visual checking.
2. Recommend to work with volume distributors. If works with CAB or CBB type volume distributors, it will feed oil during operation time. If works with CDB or T type volume distributors, it will feed oil during interval time.
3. Rationing oil feeding. The flow of oil of each output point of volume distributors is equal.
4. It has a pressure switch device and been set up as 8kg/cm², which assure the oil volume of lubrication point and check if the piping works normally. The standard specification is NC (Normal Close) contact, which means if the pressure is abnormal, it will have signal.
5. It has a float switch (NC Contact) that can detect the oil volume. When oil is lower than the minimum level, the float switch will send continuous signal automatically and the buzzer will alarm.
6. It has a pressure-regulating valve and pressure gauge, where an operator can adjust the pressure and check the pressure easily.
7. It has a reset button (RES button), press the button and it will start the cycle again.
8. A small buzzer is installed inside but also can add a large buzzer on request.

◆ **Application of Machines Equipment**

1. It can be used for the machines requiring strictly rationing oil flow.
2. It can be specially used for the machines requiring large oil output and large pressure output.
3. It is usually used for such as processing machines or projecting machines.

CENB Single Phase Wiring Diagram

Abnormal Output		Ground	Power
NO(A)	NC(B)	COM	GND(P.E) POWER
⊕	⊕	⊕	⊕ ⊕

Model	Act Time	Interval Time	Motor	Max Volume	Max Pressure	1Ø Voltage	Ampere	Hertz	Discharge Bore	Oil Viscosity
CENB	1-999sec	1-999min or 1-999sec	25W	250 cc/min	20kgf/cm ²	110V 220V	0.6A 0.3A	50/60Hz compatible	Ø4 or Ø6	32-68cSt@40°C
			60W	500 cc/min	30kgf/cm ²	110V 220V	1.2A 0.6A			

Model	Tank Code	Tank Material	Capacity Liters	Fixed Hole Distance(mm)	Length (mm)	Width (mm)	Height (mm)	Weight (kg)
CENB (25W)	03	Resin	3 L	205	230	167	253	5.40
	04	Resin	4 L	250	277	162	272	5.90
	05	Aluminum	4 L	95 x 280	297	170	264	6.75
	08	Iron	8 L	95 x 338	355	200	286	9.90
CENB (60W)	05	Aluminum	4 L	95 x 280	297	170	310	7.80
	08	Iron	8 L	95 x 338	355	200	334	10.95

◆ **Order code :**

CEN	B	03	2	C	25	3	※
Model :	Tank Capacity(Material)	Time (Act x Interval)	Voltage	Motor	Discharge Bore	Special Request	
B : Pressure-Relief Type	03 : 3L (Resin)	1 : sec x sec	A : 110V	25 : 25W	0 : Ø 4	※60 : 4L above metal tank could be assembled with 60W motor.	
	04 : 4L (Resin)	2 : sec x min	C : 220V	60 : 60W	1 : Ø 6	※90 : 4L above metal tank could be assembled with 90W motor.	
	05 : 4L (Aluminum)			90 : 90W	2 : Ø 4 (With Pressure Gauge)		
	08 : 8L (Iron)				3 : Ø 6 (With Pressure Gauge)		
						※B : Add a larger buzzer	

CEAB Type Pressure-Relief Electric Lubricator

Timer



CEAB-05(25W)



CEAB-05(60W)



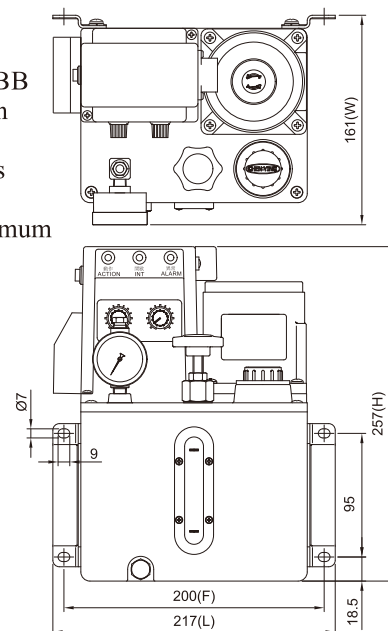
CEAB-02

◆ Features

1. CEAB type has a timer and the timer controls the operation and interval time. The electronic box has operation, abnormal and interval indicators.
2. CEAB type has to work with volume distributors. If it is operated with CAB or CBB type volume distributors, it will feed oil during operation time. If it is operated with CDB or T type volume distributors, it will feed oil during interval time.
3. Rationing oil feeding. The flow of oil of each output point of volume distributors is equal.
4. It has a float switch that can detect the oil volume. When oil is lower than the minimum level, the float switch will automatically send a continuous signal and the buzzer will alarm.
5. It has a circulation button that can restart the circulation cycle manually according to the operation and interval time settings.
6. It used a high quality alloy steel gear pump and induction motor that not only has steady output pressure and low noise, but also can assure each lubrication point with output of oil. It can be applied for large machines' request.
7. When CEAB assembles with 25W motor, the max pressure is 20 kgf/cm², the flow rate is 250cc/min. And when assembles with 60W motor, the max pressure is 30 kgf/cm², the flow rate is 500cc/min.
8. CEAB 4L has pressure-regulating valve and pressure gauge for adjusting the pressure and checking if the pressure is normal.

◆ Application of Machines Equipment

1. It can be used for the machines requiring strictly rationing oil flow.
2. It can be specially used for the machines requiring large oil output and large pressure output.

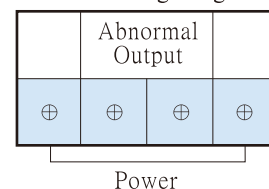


CEAB-02 Standard Externals

Model	Act Time	Interval Time	Motor	Max Volume	Max Pressure	1Ø Voltage	Ampere	Hertz	Discharge Bore	Oil Viscosity
CEAB	3sec-3min	1-60min	25W	250cc/min	20kgf/cm ²	110V 220V	0.6A 0.3A	50/60Hz compatible	Ø4 or Ø6	32-68cSt@40°C
		1-180min 1-360min	60W	500cc/min	30kgf/cm ²	110V 220V	1.2A 0.6A			

Model	Tank Code	Tank Material	Capacity Liters	Fixed Hole Distance(mm)	Length (mm)	Width (mm)	Height (mm)	Weight (kg)
CEAB (25W)	02	Aluminum	2 L	95 x 200	217	162	257	5.82
	04	Resin	4 L	250	275	159	286	5.65
	05	Aluminum	4 L	95 x 280	308	197	277	6.60
	08	Iron	8 L	95 x 338	355	200	297	9.81
CEAB (60W)	05	Aluminum	4 L	95 x 280	297	170	310	7.65
	08	Iron	8 L	95 x 338	355	200	334	10.87

CEAB Single Phase Wiring Diagram



◆ Order code :

CE AB 02 060 C 25 1

Model : Tank Capacity(Material) Interval Voltage Motor Discharge Bore
 AB : 02 : 2L (Aluminum) 060 : 60min A : 110V 25: 25W 0 : Ø 4
 Pressure- 04 : 4L (Resin) 180 : 180min C : 220V 60: 60W 1 : Ø6
 Relief Type 05 : 4L (Aluminum) 360 : 360min 90: 90W 2 : Ø4 (With Pressure Gauge)
 08 : 8L (Iron) 3 : Ø6 (With Pressure Gauge)
 20 : 20L (Iron)

Special Request
 ※60 : 4L above metal tank could be assembled with 60W motor.
 ※90 : 4L above metal tank could be assembled with 90W motor.

CEAB Type Pressure-Relief Electric Lubricator



CHEN YING

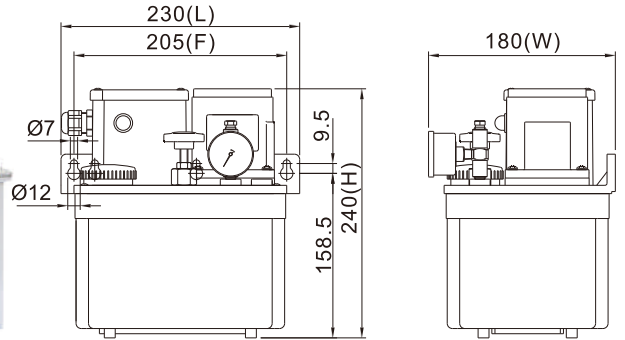
CEVB Type Pressure-Relief PLC Electric Lubricator



CEVB-03 With a Light



CEVB-08(60W)
With a Feed-Oil Button,
Pressure Switch & Light



CEVB-03 Standard Externals

◆ Features

1. CEVB type is without timer (also could be controlled by Programmable Logic Controller) and has to work with volume distributors. If it is operated with CAB or CBB type volume distributors, it will feed oil during the operation time. If it is operated with CDB or T type volume distributor, it will feed oil during the interval time.
2. The discharge volume is fixed. Each output point of volume distributor has equal oil amount.
3. It has a pressure-regulating valve, which can adjust the pressure and easy to check from the pressure gauge.
4. It has a float switch that can detect the oil volume. When oil is lower than the minimum level, the float switch will automatically send a continuous signal and the buzzer will alarm.
5. It used a high quality alloy steel gear pump and induction motor that not only has steady output pressure and low noise, but also can assure each lubrication point with output of oil. It can be applied for large machines' request.
6. For CEVB with 3 Liters oil tank and above that equips a NC contact 8kgf/cm² pressure switch but NO contact pressure switch is also available on request.

◆ Application of Machines Equipment

1. It can be used for the machines requiring strictly rationing oil flow.
2. It can be specially used for the machines requiring large oil output and large pressure output.
3. It is usually used for such as processing machines or projecting machines.

CEVB Single Phase Wiring Diagram

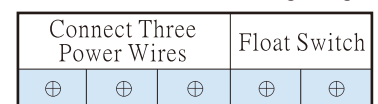


PS. If there are special requests, please refer to the special wiring diagram inside the lubricator.

Model	Motor	Max Volume	Max Pressure	Voltage	Ampere	Hertz	Discharge Bore	Oil Viscosity
CEVB	25W	250 cc/min	20kgf/cm ²	1Ø 110V 1Ø 220V 3Ø Optional	0.6A 0.3A 0.3A	50/60Hz compatible	Ø4 or Ø6	32-68cSt@40°C
	60W	500 cc/min	30kgf/cm ²	1Ø 110V 1Ø 220V 3Ø Optional	1.2A 0.6A 0.6A			

Model	Tank Code	Capacity Liters	Tank Material	Fixed Hole Distance(mm)	Length (mm)	Width (mm)	Height (mm)	Weight (kg)
CEVB (25W)	02	2 L	Aluminum	95 x 200	217	161	230	5.75
	03	3 L	Resin	205	230	180	240	5.05
	04	4 L	Resin	250	275	159	259	5.65
	05	4 L	Aluminum	95 x 280	297	170	250	6.60
	08	8 L	Iron	95 x 338	355	200	275	9.30
Model	Tank Code	Capacity Liters	Tank Material	Fixed Hole Distance(mm)	Length (mm)	Width (mm)	Height (mm)	Weight (kg)
CEVB (60W)	05	4 L	Aluminum	95 x 280	297	175	310	7.65
	08	8 L	Iron	95 x 338	355	200	334	10.40

CEVB Three Phase Wiring Diagram



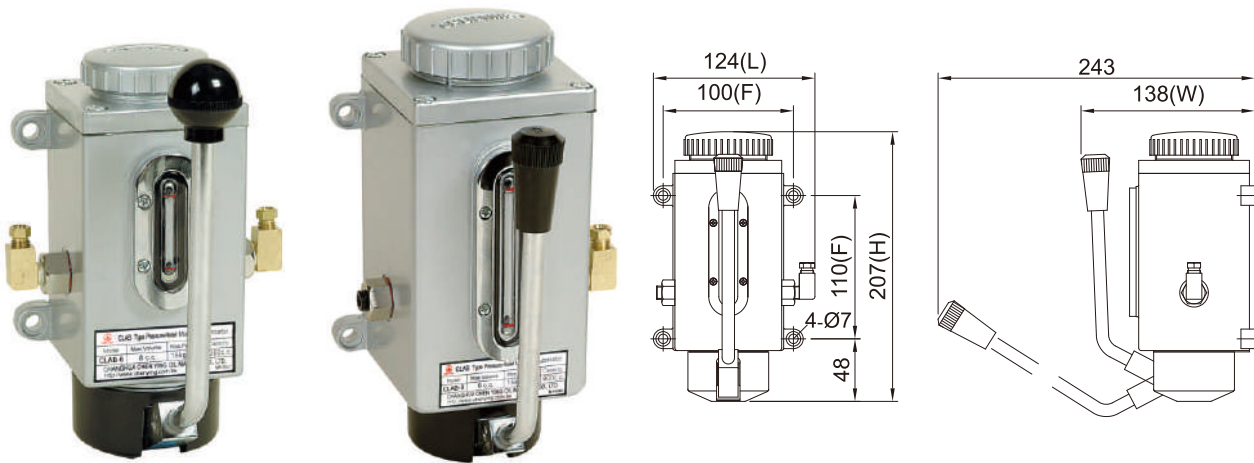
While connecting wires, please notice that if the motor rotate anti-clockwise (see the red spot of spindle). If the motor rotate clockwise, please change positions of two power wires, then try again.

◆ Order code :

CE	VB	02	C	25	3	※
Model :	Tank Capacity(Material)	Voltage	Motor	Discharge Bore	Special Request	
Pressure-Relief Type	02 : 2L (Aluminum)	A : 1Ø110V	25 : 25W	0 : Ø 4	※F : Add a Feed-Oil Button	
	03 : 3L (Resin)	C : 1Ø220V	60 : 60W	1 : Ø 6	※P : Add a Pressure Switch	
	04 : 4L (Resin)	D : 3Ø220/380V	90 : 90W	2 : Ø 4 (With Pressure Gauge)	※L : Add a Light	
	05 : 4L (Aluminum)	E : 3Ø220V/440V		3 : Ø 6 (With Pressure Gauge)	※60 : 4L above metal tank could be assembled with 60W motor.	
	08 : 8L (Iron)	F : 3Ø208/415V			※90 : 4L above metal tank could be assembled with 90W motor.	
	20 : 20L (Iron)	G : 3Ø230/460V				
		H : 3Ø240/480V				
		M : 3Ø220V				
		N : 3Ø380V				
		X : Special Voltage				

CEVB Type Pressure-Relief Electric Lubricator

CLAB Type Pressure-Relief Manual Lubricator



CLAB-6-D-H-1

CLAB-8-R-H-1

CLAB-8-R-H-1 Standard Externals

◆ Features

1. CLAB is the only one manual type of pressure-relief type lubricators. It has to work with volume distributors.
2. The discharge volume of oil is fixed.
3. CLAB type is low cost, and high practicality.
4. Easy to be operated by pushing the handle down for oil feeding.
5. Small size and easy to install.
6. It is divided by the volume of oil tank CLAB-6 (350cc) and CLAB-8 (600cc).
7. The unit is equipped with reverse stopper that prevents the back-flow of oil.
8. It has an oil outlet on left or right side of the unit. Dual outlets (left and right sides) are also available.

◆ Application of Machines Equipment

1. It is suitable for the machinery needs to feed fixed discharge volume of oil but without setting timer.
2. It is suitable for the machinery that does not need to feed oil at certain time.

Model	Max Volume	Max Pressure	Capacity	Discharge Bore	Outlet Number	Fixed Hole Distance(mm)	Length (mm)	Width (mm)	Height (mm)	Oil Viscosity	Weight (kg)
CLAB-6	8cc	15kgf/cm ²	350cc	Ø4	1	85,85	112	134	188	32-68cSt@40°C	1.23
					2						1.24
				Ø6	1						1.24
					2						1.25
CLAB-8	8cc	15kgf/cm ²	600cc	Ø4	1	100,110	124	138	207		1.48
					2						1.50
				Ø6	1						1.49
					2						1.52

◆ Order code :

CLAB	6	R	H	1	※
Model : Pressure-Relief Type	Tank Capacity 6 : 350cc 8 : 600cc	Discharge Outlet Side L : Left Hand Outlet R : Right Hand Outlet D : Dual Outlets	Outlet Adapter H : Elbow Adapter D : Straight Adapter B : Block	Discharge Bore 0 : Ø 4 1 : Ø 6	Special Request