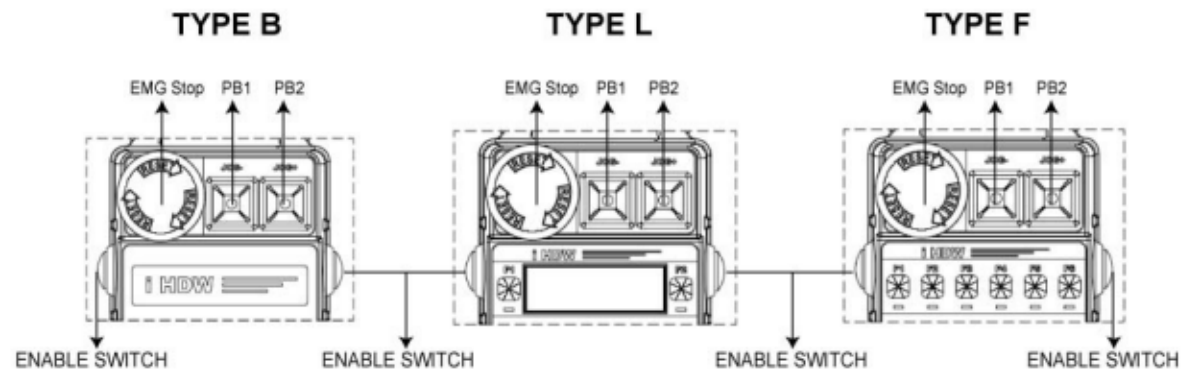
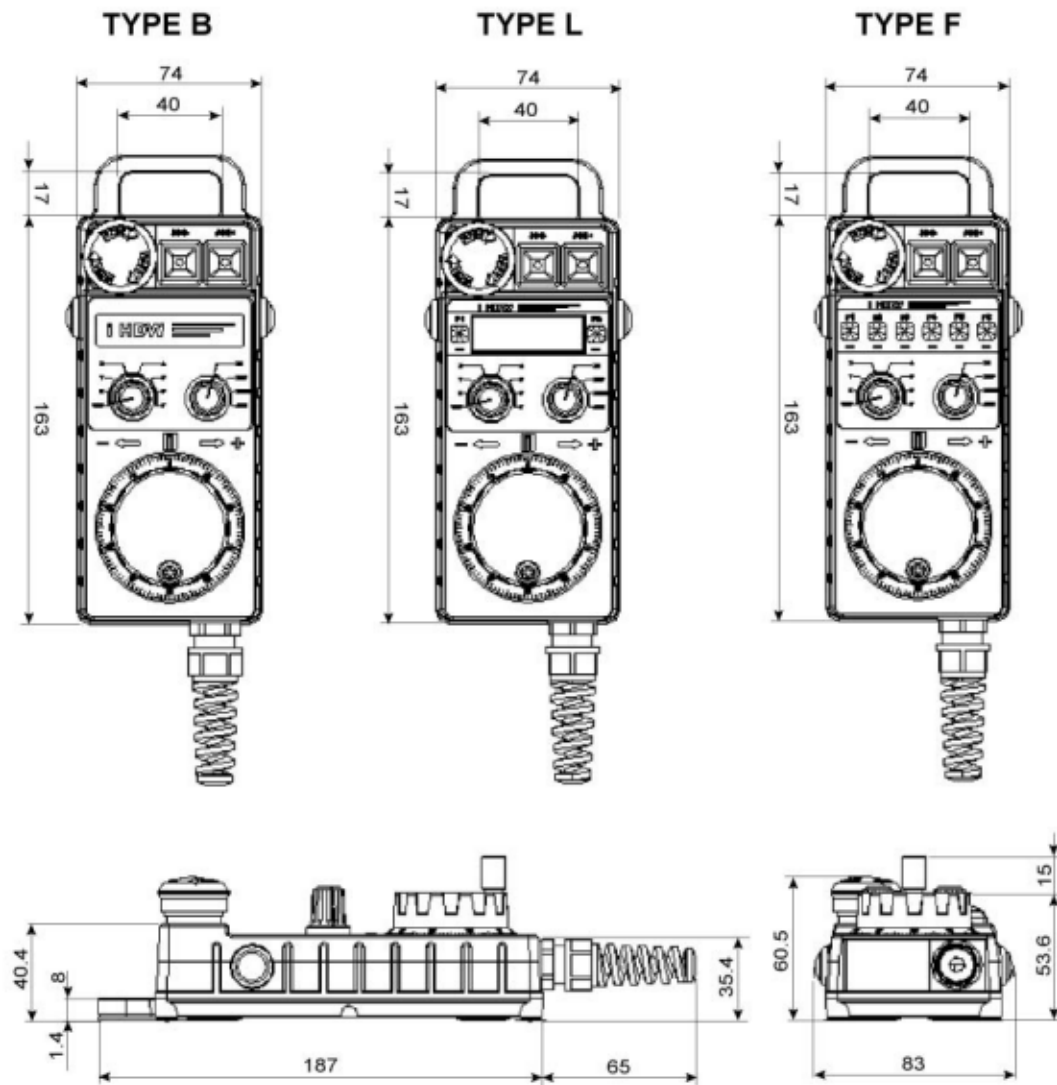


iHDW SHAPE OPTION :



iHDW EXTERNAL DIMENSIONS(mm) :



INTELLIGENT REMOTE MANUAL PULSE GENERATOR

iHDW-B~F SERIES:

The latest generation of Remote MPG. Built-in LCD displays coordination and status of function. Designed for high level or large CNC machines.



FEATURES:

- Receive messages from CNC control system
- Meet customers' various demands
- Display data transferred by PLC digital I/O (serial out simulation) or serial I/O (RS 232C)
- Patented magnetic back cover
- Optional enable micro switches for application
- Optional emergency stop switch
- Type F offers 6 key switches for options
- Multiple output types compatible with different CNC control systems
- Provide reverse polarity protection

ORDERING INFORMATION:

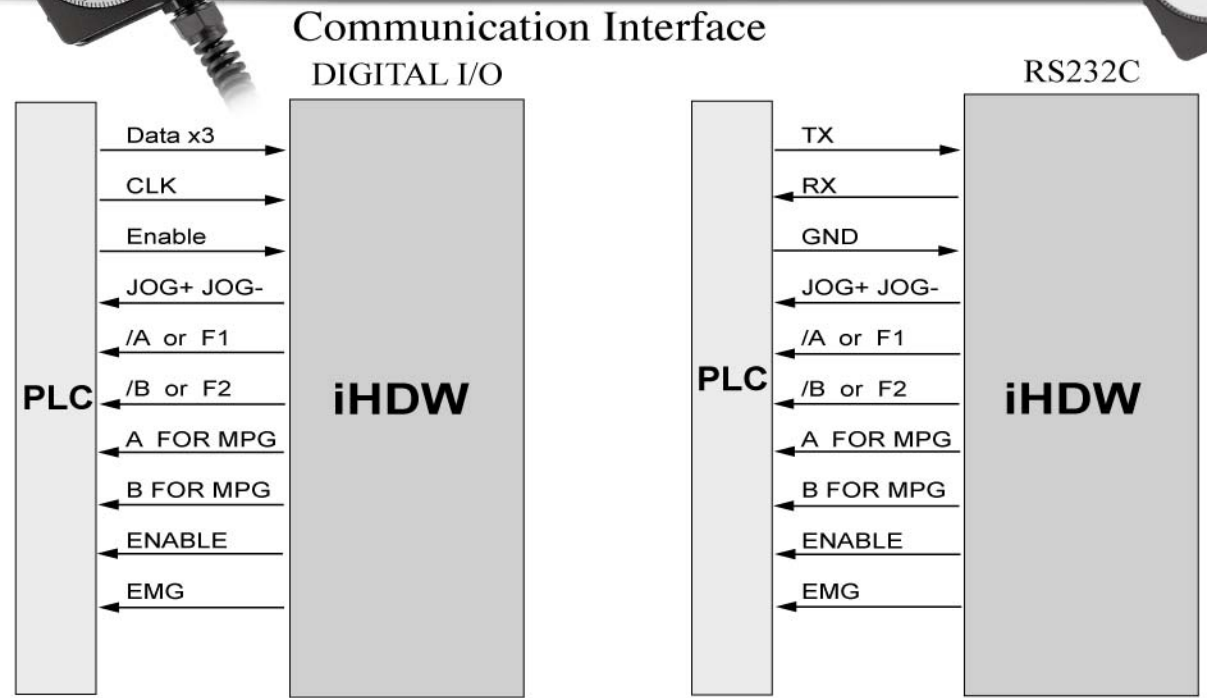
iHDW-B~F SERIES ORDERING INFORMATION

iHDW		L				B				A			A		S		I		M
SERIES NAME	SHAPE	MODEL				TYPE			STEPS NUMBER		CABLE LENGTH	DATA INTERFACE		MAGNET					
		M	O	PB1	PB2	EMG STOP	ENABLE	T	DC POWER	PULSE		OUTPUT RESISTANCE	NUMBER		ROTARY SWITCH STEPS	SIZE	DATA INTERFACE		
iHDW	BASIC	B						A	5V	100PPR	R330	1	PTP 1 AXES	S	3M	I	L/O	MAGNET	
	LCD	C						B	5V	25PPR	R330	2	PTP 2 AXES	L	5M	R	RS232C	MAGNET	
	FUNCTION	D				●		C	12V	100PPR	R2.0K	3	PTP 3 AXES					MAGNET	
		E		●				D	12V	25PPR	R2.0K	4	PTP 4 AXES					MAGNET	
		F	●					E	5V	100PPR	DIFF	5	PTP 5 AXES					MAGNET	
		G	●	●				F	5V	25PPR	DIFF	6	PTP 6 AXES					MAGNET	
		H		●	●			G	24V	100PPR	R2.0K	7	PTP 7 AXES					MAGNET	
		I	●		●			H	24V	25PPR	R2.0K	A	BIN 3 AXES					MAGNET	
		J		●			●					B	BIN 4 AXES					MAGNET	
		K	●				●					C	BIN 5 AXES					MAGNET	
		L			●	●						D	BIN 6 AXES					MAGNET	
		M	●	●		●	●					E	BIN 7 AXES					MAGNET	
		N		●	●	●	●											MAGNET	
		O	●		●	●	●											MAGNET	
		P	●	●	●	●	●											MAGNET	
		Q	●	●	●													MAGNET	

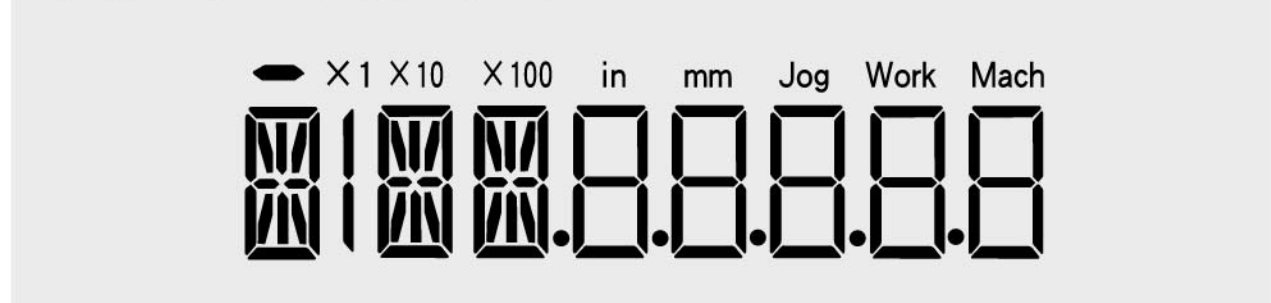
ONLY FOR BASIC TYPE



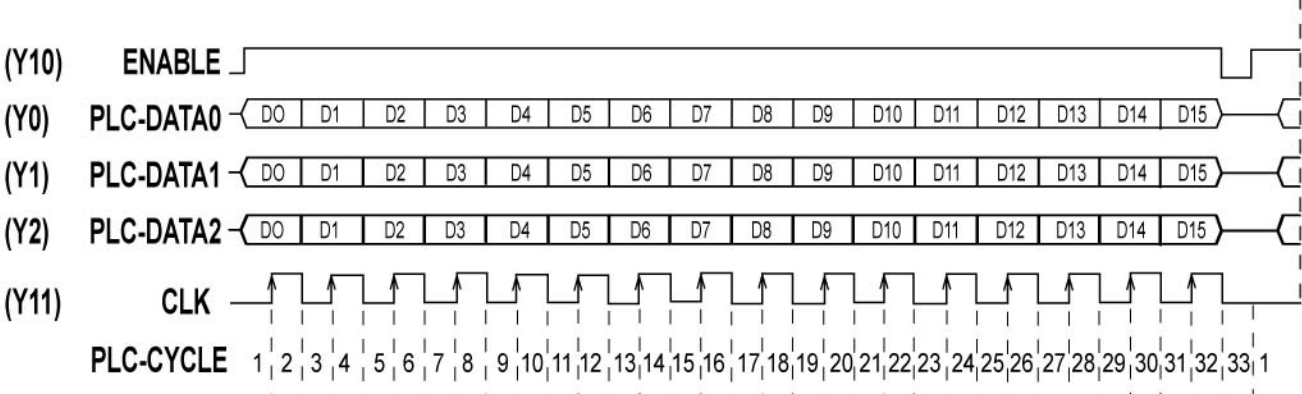
L TYPE CONNECTION BLOCK DIAGRAM :



L TYPE DISPLAY GRAPHIC :



L TYPE DATA TRANSFER CHART:



GENERAL SPECIFICATION:

Intelligent Manual Pulse Generator		
Electrical	Power supply	5V,12V,24V (±10%)
	Pulse number	25PPR,100PPR
	Output current	80mA
	Signal mode	A.B , A.B./A./B
	Response frequency	10KHz
	Power consumption	120mA
Communication	Communication interface	Digital I/O, RS232C
	Data format	8 data bits+1parity bit (even),1 stop bit
	Transfer speed	9600 baud, automatic detection
Mechanical	Start torque (max)	200g
	Shaft loading (min)	R 2kg
	Rotational Life (min)	1KKR
	Material	Plastic
	Weight	Approx. 1kg
Environmental	Protection	IP65
	Operation Temperature	-0°C/+50°C
	Storage Temperature	-10°C/+70°C
	Humidity	RH35%/85%
	Vibration	0.5G X,Y,Z each direction 2h
Shock	2G X,Y,Z each direction 3 times	