

ABSOLUTE MAGNETIC ENCODER

Compatible with the wide range of industrial automation applications. It provides and enhances precision detection and control.

Features

- **Slim and compact design**
- **Non-contact sensing design upgrades the reliability**
- **Protect class IP65**
- **Suitable for using in harsh environment**
- **Absolute angular position detection**
- **Provide BIN or Gray code for options**
- **Reference points can be set by external signal**



Specification

Absolute Magnetic Encoder		
Electrical	Detection System	Absolute
	Resolution	8 , 16 , 32 , 64 , 128 , 256
	Direction	CW or CCW
	Output Code	Gray , Binary
	Power Supply	DC 24V \pm 10%
	Current Consumption	Under 300mA
	Response	2KHz
	Output Circuits	PNP & NPN
	Output Current	20mA max.
Mechanical	Max. Speed	600RPM
	Material	Aluminum alloy
	Shaft Diameter	$\varnothing 6$, $\varnothing 10$
	Shaft Loading	Axial : 1kgf , Radial : 2kgf
	Cable	1M , $\varnothing 6.5$, 28AWG
	Weight	120g (with 1m cable)
Environmental	Protection	IP65
	Operation Temperature	0° C / +50° C
	Storage Temperature	-10° C / +60° C (w/o condensation)
	Humidity	35% / 85%
	Vibration	55Hz , 1.5mm X, Y, Z each direction 2h
	Shock	50G X, Y, Z each direction 3 times



FUTURE LIFE TECHNOLOGY CO., LTD.

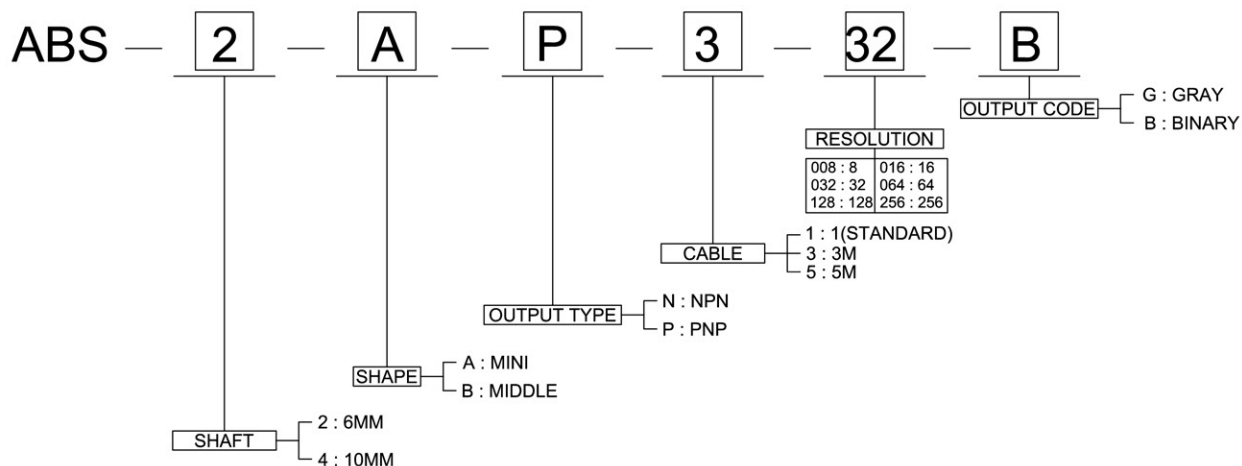
13Fl, No. 963, Jong-Jeng Rd., Jong-Ho Dist., New Taipei City, Taiwan 23544

TEL : 886 + 2-8227-5339 FAX : 886 + 2-8227-5572 Email : amaker@ms24.hinet.net



ABSOLUTE MAGNETIC ENCODER

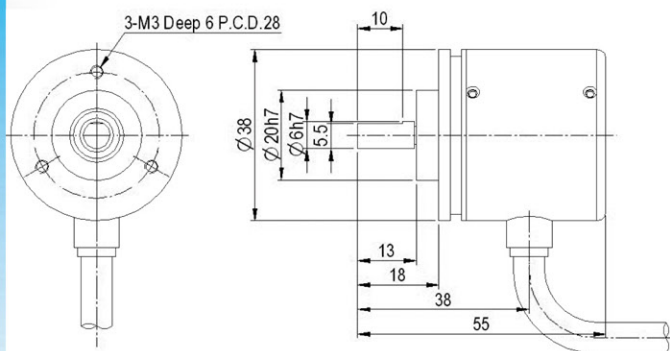
Ordering Information



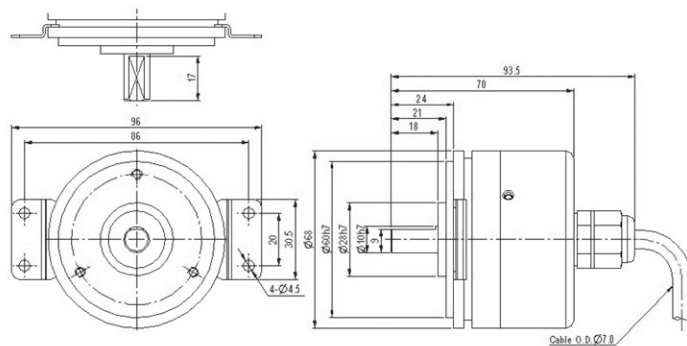
Electrical Connections

No.	Color	Function	No.	Color	Function
1	Black	24V	2	Brown	0V
3	Red	Bit0	4	Orange	Bit1
5	Yellow	Bit2	6	Green	Bit3
7	Blue	Bit4	8	Purple	Bit5
9	Gray	Bit6	10	White	Bit7
11	Brown / Black	RESET	12	Red / Black	NA

External Dimensions (mm)



Mini Shape



Middle Shape