



Dealer's Contact

**ISHAN PRECISION IND. CO., LTD.**  
No.5, Alley 28, Lane 256, Tai Si S.Rd., Lung Ching Dist.,  
Taichung City, Taiwan 43445  
TEL:+886-4-26302881~3 FAX:+886-4-26302880  
E-mail:ishan@tcts.seed.net.tw <http://www.smuslube.com>



AG Design 04-27071159

2017.06

*Green Lubricator for Green Future*





### Core Value

Honesty, Efficiency, and Innovation.

### Corporate Vision

Service - As a Machinery Lubrication Solution Provider.

Product - Differentiated products with added Value.

Market - Global Expansion from Taiwan

Partnership - Open-minded to achieve Win-Win.

**BEST VISION**

### Quality Policy

Quality First, Advanced Technology, and Customer Satisfaction.



## About ISHAN

Ishan Precision Industrial Co., Ltd. was established in Taichung, Taiwan in 1992, has been continuously researching and developing centralized lubrication system, become the leading manufacturer in Taiwan. Ishan Precision provides lubrication system is widely applied on industrial machinery.

Quality, Service ,and Innovation are always our consistence. Ishan quality assurance program is approved by ISO-9001 standards, and SST- lubricator lines are certified with CE safety certification via SGS.

After continuous innovations and development in the past 20 years, we upgrade our product line to meet the requirement of global customers by a brand-new product line **SMUS**. **SMUS** series have the dedicated product line for differential market segmentation to grab the demand from different market.

**SMUS** centralized lubrication system is developed and produced in Taiwan, just as Taiwan machinery industry for global customers. Ishan expects to become a partner for global customers, and contribute to mutual success, as well as constructs global sales network of **SMUS** products. We look forward to building business relationship with you with our best pleasure, and please contact us.



## Enterprise History

- 1992** ISHAN PRECISION IND.CO.,LTD was founded in Taichung, Taiwan.
- 1993** ISHAN cooperated with Taiwan Industrial Technology Research Institute and developed new lubricators.
- 1997** ISHAN built partnership with a US well-known brand to provide OEM & ODM service with CE certification.
- 1999** ISHAN won ISO-9002 approval.
- 2001** ISHAN established new factory, SUNSHINE in China to cultivate China domestic market.
- 2003** ISHAN won ISO-9001 approval.
- 2007** For China's increasing demand, SUNSHINE moved to the new production site.
- 2008** ISHAN expanded the Taichung Production site.
- 2010** The year of global expansion for ISHAN, and the Overseas Sales Dept is set up.
- 2011** **SMUS** was unpacked for the application on high performance machinery.
- 2013** SMUS-SST series was certified with CE Safety Certification via SGS.



## Features of SST-B2 Piston Oil Lubrication Systems

### Green Packaging

- Environment-friendly carton
- Compact and anti-impact design

### Aluminum Body

- Enlarged robust aluminum cover
- Enhance heat dissipation to prolong product life

### Feed Button

- User can discharge more lubricant when needed
- Embossed button helps easier operation
- Embedded spark reducer improves reliability

### Oil Meter

- Aesthetic and flat surface design
- Avoid collision during transportation
- Easier for lubricant level checking

### Stainless Pressure Gauge

- Durable and reliable body
- Color marked meter helps easier identification

### Widened Fix-Holes

- Provide compatibility for machinery maintenance

### Output Bore

- Ambidextrous design contributes to the set-up flexibility

### Push-On Tank Cap

- Easy to fasten in tight sealing
- One-body design secure the cap without missing at refilling

### Well-Sealed Tank

Design



## Features of SSG-D Resistance Grease Lubrication Systems

- Vertical motor layout minimizes the installation space
- Powerful DC motor enhances the performance
- Aesthetic and compact design
- Easy maintenance and leakage-proof structure
- Green Packaging and anti-impact carton

### Strong Cover

- Protect the motor well and reduce the volume at operation
- Water-proof and dust-proof

### Fixing Holes

- The fixing design is compatible with other popular models in the market
- Easy for customer at replacement

### Motor Wires

- Blue Wire (+) / Black Wire (-)

### Output Bore

- $\varnothing 6$



### Grease Cup Set

- Strong and Transparent
- Note: Never refill from the top of the grease cup**

### Grease Nozzle

- For grease gun refilling
- No. 0 and No. 00 greases are accepted

### Stainless Pressure Gauge

- Durable and Reliable body
- MPa & kgf/cm<sup>2</sup> scale



## Application for Lubrication Systems

**SMUS** lubrication systems are widely applied on industrial machinery like, CNC machine centers, lathes, grinding machines, plastic injection machines, forging machines, woodworking machines. **SMUS** also can provide customers with the reliable lubrication system specifically tailored for their production purposes.

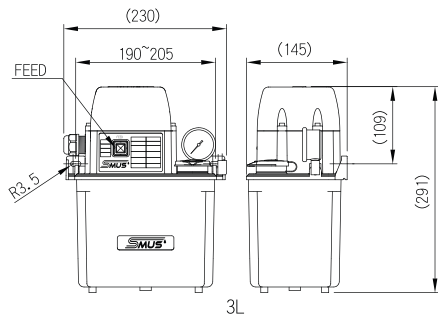
Application

# SST- Piston Oil Lubricator

## SST-B2

Series	SST
Model	B2
Voltage (single phase)	110V/60Hz or 220V/60Hz
Consumption Power(W)	100
Output Power (W)	10
Capacity of Terminal Output(A)	0.3(Float Switch) 5(Pressure Switch)
Lubrication Time	Cooperate with PLC control system
Intermittent Time	Cooperate with PLC control system
Direction of Output	Left or Right
Output Bore	Ø4 or Ø6
Max. Output Pressure (MPa)	1.5
Output Volume (cc/mim)	150
Pressure Release Device	O
Float Switch	O
Pressure Switch (kgf/cm <sup>2</sup> )	12-9(NC)
Pressure Gauge	O
Tank Capacity	3L (P)

- Note: 1. (P): Plastic Oil Tank  
 2. Oil viscosity (40°C) : 30-450 cSt  
 3. The output volume and max. output pressure as above is based on oil viscosity 68cSt.  
 4. The output volume standard is based on the current of 60Hz at 110V or 220V.

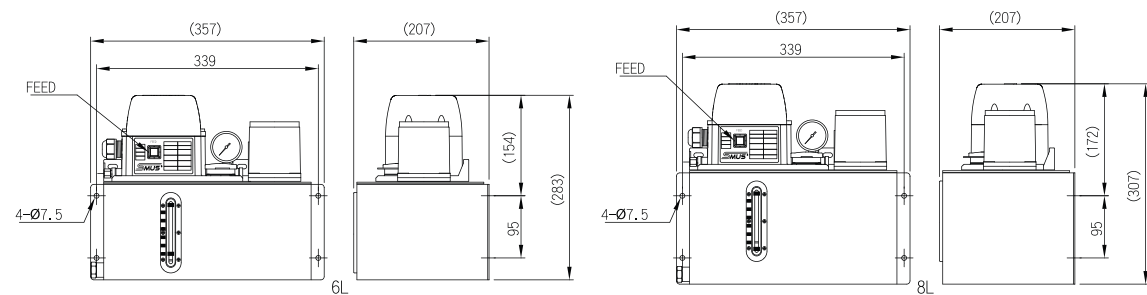


3L

## SST-J2

Series	SST
Model	J2
Voltage (single phase)	110V/60Hz or 220V/60Hz
Consumption Power(W)	56
Output Power (W)	25
Capacity of Terminal Output(A)	0.3(Float Switch) 5(Pressure Switch)
Lubrication Time	Cooperate with PLC control system
Intermittent Time	Cooperate with PLC control system
Direction of Output	Left
Output Bore	Ø4 or Ø6
Max. Output Pressure (MPa)	2
Output Volume (cc/mim)	150
Pressure Release Device	O
Float Switch	O
Pressure Switch (kgf/cm <sup>2</sup> )	12-9(NC)
Pressure Gauge	O
Tank Capacity	6L/ 8L

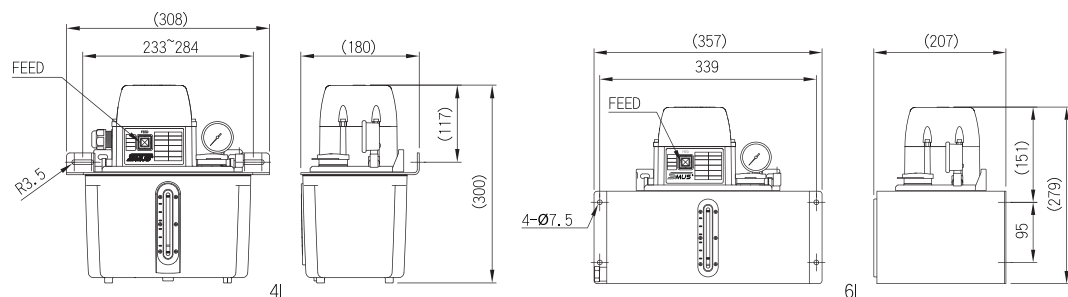
- Note: 1. Oil viscosity (40°C) : 30-450 cSt  
 2. The output volume and max. output pressure as above is based on oil viscosity 68cSt.  
 3. The output volume standard is based on the current of 60Hz at 110V or 220V.



6L

Series	SST
Model	B2
Voltage (single phase)	110V/60Hz or 220V/60Hz
Consumption Power(W)	100
Output Power (W)	10
Capacity of Terminal Output(A)	0.3(Float Switch) 5(Pressure Switch)
Lubrication Time	Cooperate with PLC control system
Intermittent Time	Cooperate with PLC control system
Direction of Output	Left or Right
Output Bore	Ø4 or Ø6
Max. Output Pressure (MPa)	1.5
Output Volume (cc/mim)	150
Pressure Release Device	O
Float Switch	O
Pressure Switch (kgf/cm <sup>2</sup> )	12-9(NC)
Pressure Gauge	O
Tank Capacity	4L/6L

- Note: 1. Oil viscosity (40°C) : 30-450 cSt  
 2. The output volume and max. output pressure as above is based on oil viscosity 68cSt.  
 3. The output volume standard is based on the current of 60Hz at 110V or 220V.

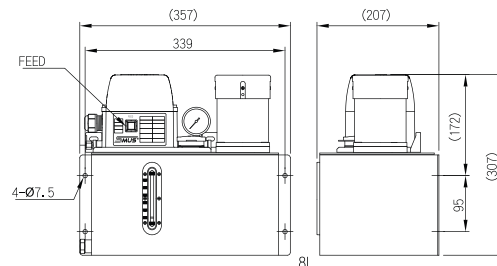


4L

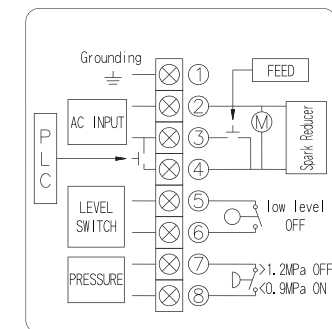
## SST-H2

Series	SST
Model	H2
Voltage (single phase)	110V/60Hz or 220V/60Hz
Consumption Power(W)	210
Output Power (W)	90
Capacity of Terminal Output(A)	0.3(Float Switch) 5(Pressure Switch)
Lubrication Time	Cooperate with PLC control system
Intermittent Time	Cooperate with PLC control system
Direction of Output	Left
Output Bore	Ø4 or Ø6
Max. Output Pressure (MPa)	3
Output Volume (cc/mim)	600
Pressure Release Device	O
Float Switch	O
Pressure Switch (kgf/cm <sup>2</sup> )	12-9(NC)
Pressure Gauge	O
Tank Capacity	8L

- Note: 1. Oil viscosity (40°C) : 30-450 cSt  
 2. The output volume and max. output pressure as above is based on oil viscosity 68cSt.  
 3. The output volume standard is based on the current of 60Hz at 110V or 220V.



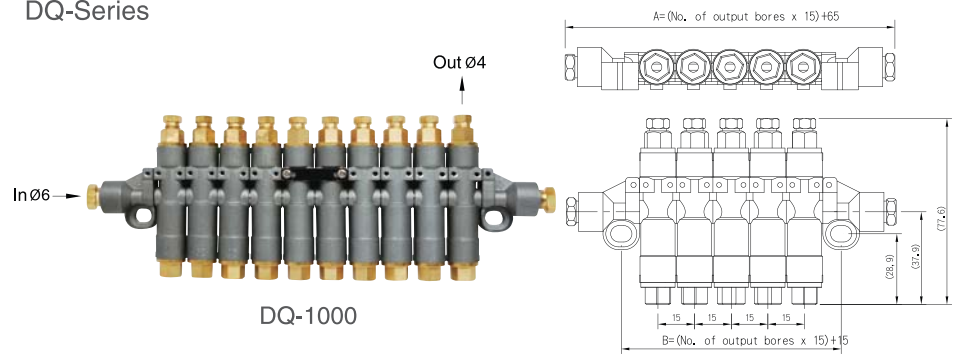
8L



Wiring Diagram for SST-B2/ J2/ H2

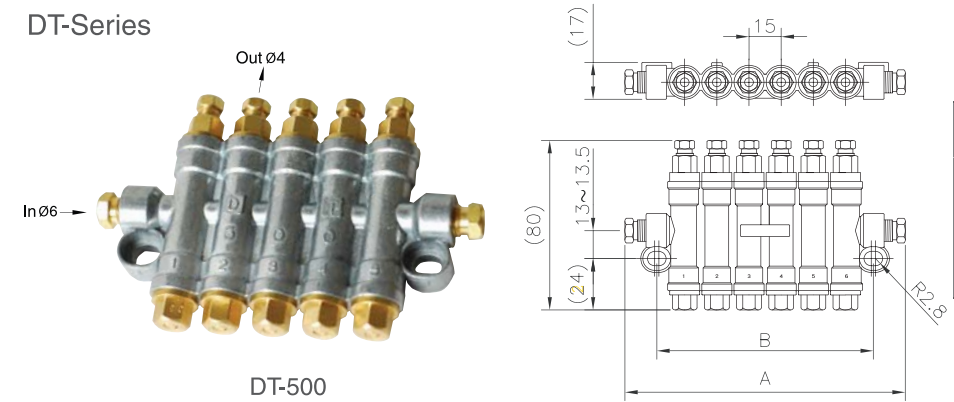
# Piston Distributor

DQ-Series



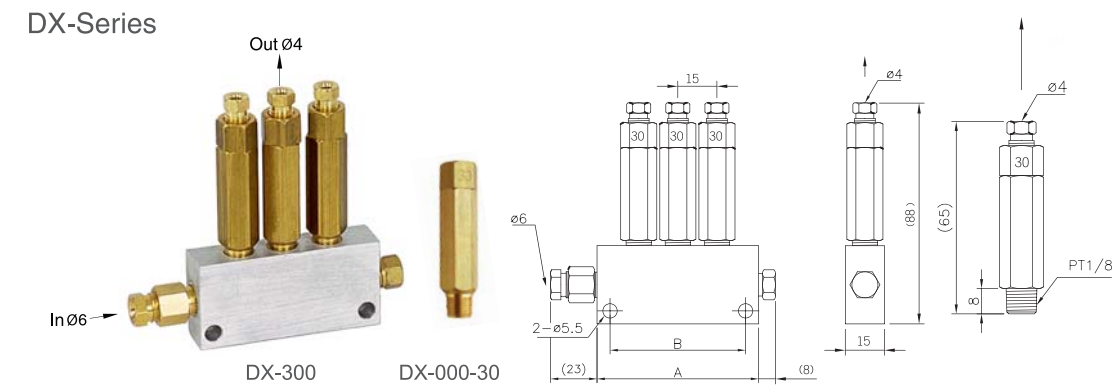
Series	Model	Numbers of output bores	A	B	Output Volume (cc/stroke)	Note
DQ	DQ-100	1	(No. of output bores x 15) + 65	(No. of output bores x 15) + 15	0.1, 0.16, 0.2, 0.3, 0.4, 0.5	DQ-series can reach DQ-1200
	DQ-200	2				
	DQ-300	3				
	DQ-400	4				
	DQ-500	5				
	DQ-600	6				

DT-Series



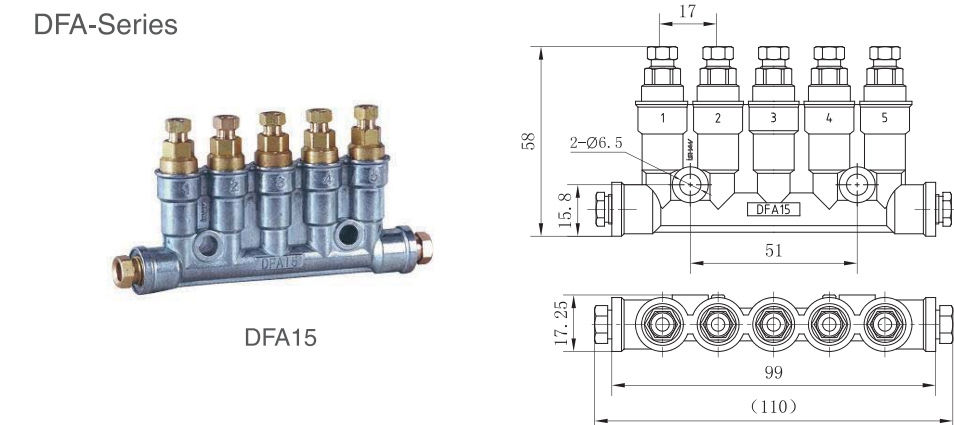
Series	Model	Numbers of output bores	A	B	Output Volume (cc/stroke)	Weight (g)
DT	DT-200	2	75	39-43	0.1, 0.16, 0.2, 0.3, 0.4, 0.5	168
	DT-300	3	90	54-58		232
	DT-400	4	105	69-73		299
	DT-500	5	126	84-88		359
	DT-600	6	135	99-103		426

DX-Series



Model	Numbers of output bores	A	B	Output Volume (cc/stroke)
DX-0100	1	32	22	0.02
DX-0200	2	47	37	0.06
DX-0300	3	62	52	0.1
DX-0400	4	77	67	0.16
DX-0500	5	92	82	0.2
DX-0600	6	107	97	0.3
DX-0700	7	122	112	0.4
DX-0800	8	137	127	0.5
DX-0900	9	152	142	

DFA-Series

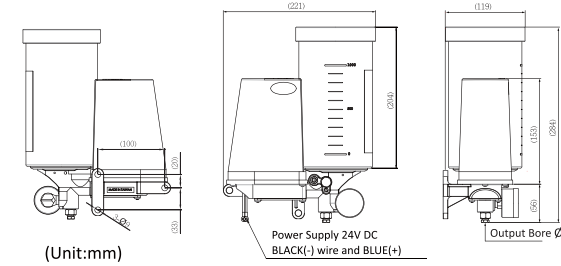


Model	Numbers of output bores	A	B	Output Volume (cc/stroke)	Weight (g)
DFA12	2	76	34	0.03	95
DFA13	3	93	17	0.06	142
DFA14	4	96	34	0.1	190
DFA15	5	110	51	0.16	236
DFA16	6	127	68		283

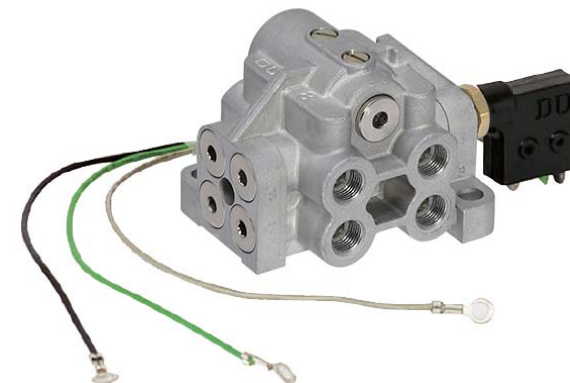
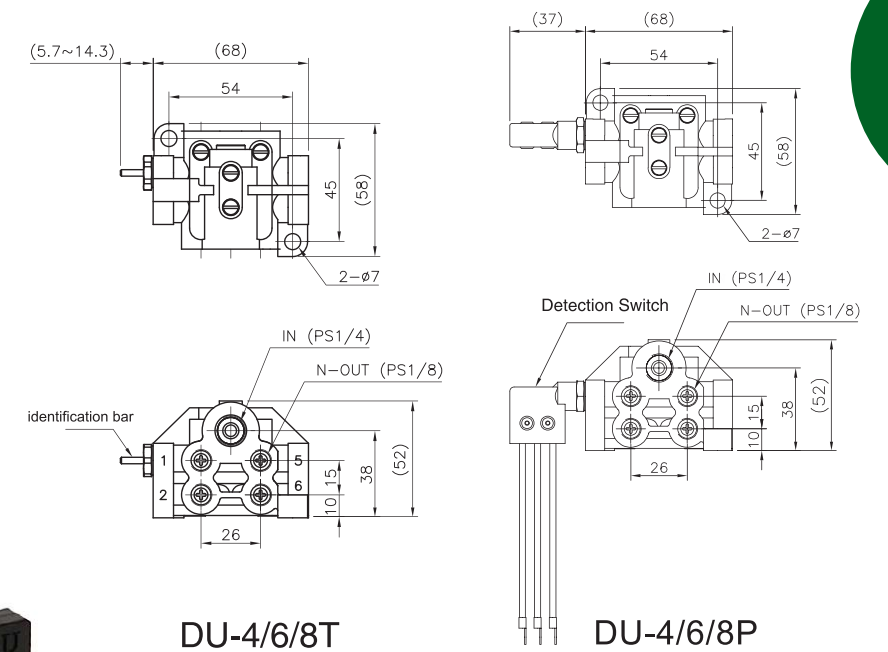
# SSG-Resistance Grease Lubricator

SSG-D1000

Series	SSG
Type	D
Distributor	DU-series
Voltage (single phase)	24V DC
Consumption Power(W)	93
Output Power (W)	45
Current Consumption(A)	4.0 Max
Output Bore	Ø6
Discharging Pressure in MPa (kgf/cm <sup>2</sup> )	Maximum 15(150)
Discharging Capacity (cc/mim)	Above 20
Float Switch	Option
Pressure Switch	x
Pressure Gauge	MPa & kgf/cm <sup>2</sup>
Cup Capacity (c.c.)	1000
Net Weight (kg)	2.1
Accepted Grease (40°C)	No. 000, No.00, No.0 and No.1



Grease Distributor  
DU-Series



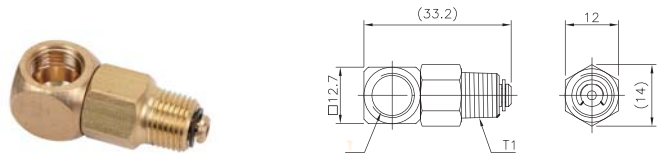
Series	Model	Number of Outlet (N)	Output Volume (c.c./stroke)	Max. Output Pressure MPa (kgf/cm <sup>2</sup> )	Weight (g)
DU	DU-4T	4	0.33	15(150)	350
	DU-6T	6			350
	DU-8T	8			320
	DU-10T	10			440
	DU-12T	12			440

Note: 1. Motion detection switch is available for option.  
2. Odd number of outlet is available for option.





## PLANE SWIVEL ELBOW ADAPTER



Model	T	T	Weight(g)
PE0101	PS1/8	PT1/8	25

## CONNECTOR



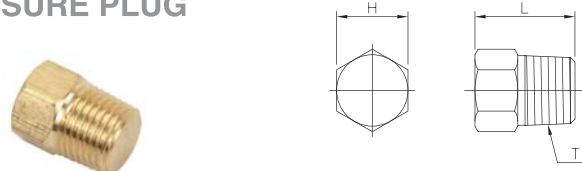
Model	A	B	T	T1	Weight(g)
PK10404	23	10	M8x1.0	M8x1.0	10
PK10606	25	12	M10x1.0	M10x1.0	115
PK20101	24.5	10	PT1/8	PT1/8	9
PK20102	27	14	PT1/8	PT1/4	17
PK20202	30	14	PT1/4	PT1/4	19
PK20203	30	17	PT1/4	PT3/8	26
PK31010	29	17	M10x1.0	M10x1.0	9

## PLANE ELBOW ADAPTER



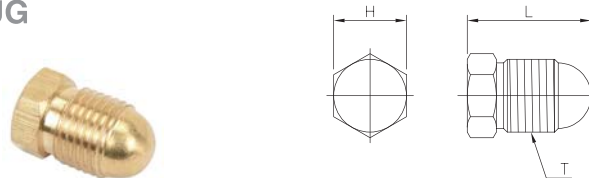
Model	Bore	Ød	L	T	T1	L	Weight(g)
PI0401	Ø4	2	21	M8x1.0	PT1/8"	12.7	17
PI0408	Ø4	2	21	M8x1.0	M8x1.0	12.7	15
PI0601	Ø6	2	22	M10x1.0	PT1/8"	14	15
PI0101		2.5	21	PS1/8	PT1/8"	12.7	15

## CLOSURE PLUG



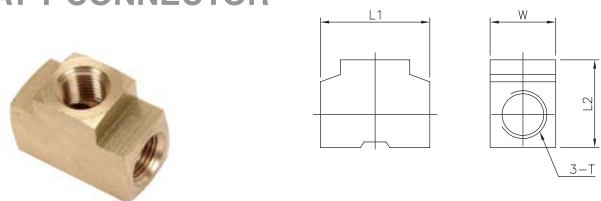
Model	L	T	H	Weight(g)
PG0408	12	M8x1.0	8	4.4
PG0601	14	PT1/8	10	7.6

## PLUG



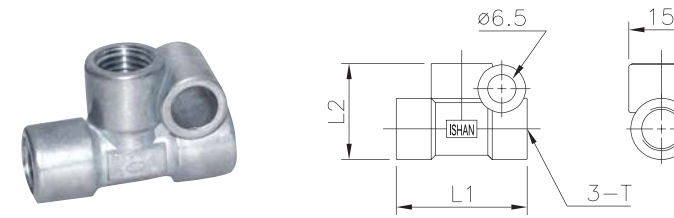
Model	L	T	H	Weight(g)
PG04	16	M8x1.0	8	5.4
PG06	17	M10x1.0	10	8.8

## 3-WAY T CONNECTOR



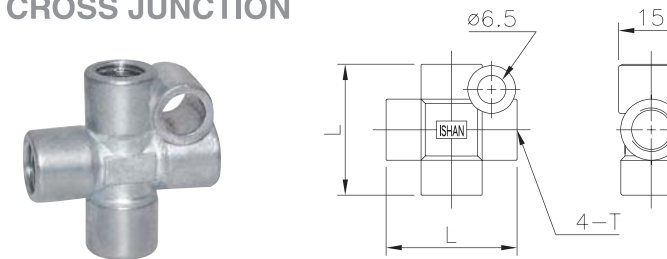
Model	T	L1	L2	W	Weight(g)
PT01	PS1/8"	27	21	14	34
PT02	PS1/4"	31	25	18	17
PT03	PS3/8"	40	31	21	86

## T-JUNCTION



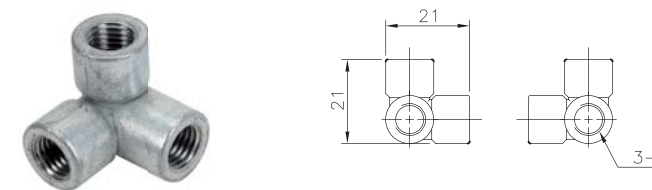
Model	Bore	T	L1	L2	Weight(g)
PKD04	Ø4	M8x1.0	28	19.5	15
PKD06	Ø6	M10x1.0	30	22	26

## CROSS JUNCTION



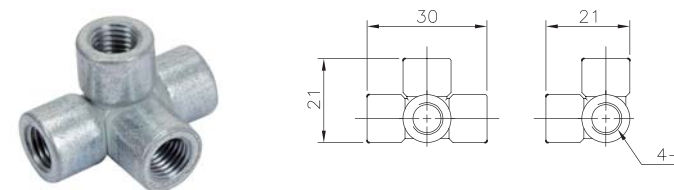
Model	Bore	T	L	Weight(g)
PJD04	Ø4	M8x1.0	28	15
PJD06	Ø6	M10x1.0	30	20

## 3-WAY JUNCTION



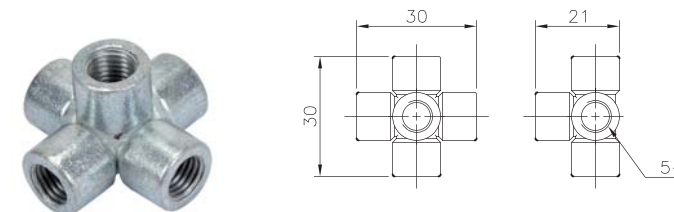
Model	Bore	T	Weight(g)
PHD0301	Ø4	M8x1.0	20

## 4-WAY JUNCTION



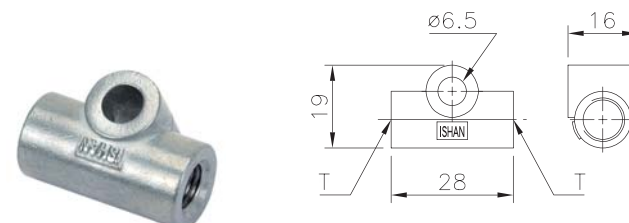
Model	Bore	T	Weight(g)
PHD0401	Ø4	M8x1.0	25

## 5-WAY JUNCTION



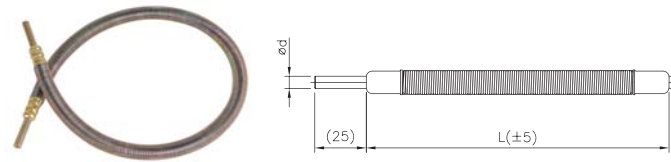
Model	Bore	T	Weight(g)
PHD0501	Ø4	M8x1.0	29

## 2-WAY JUNCTION



Model	Bore	T	L	Weight(g)
PJD0404	Ø4xØ4	M8x1.0	M8x1.0	23
PJD0406	Ø4xØ6	M8x1.0	M10x1.0	22
PJD0606	Ø6xØ6	M10x1.0	M10x1.0	20

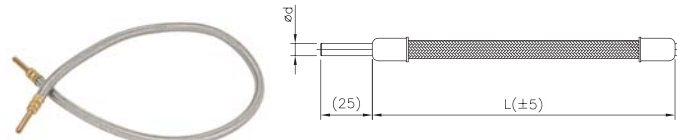
## FLEXIBLE HOSE



Model	Pipe Diameter
PST04	Ø4
PST06	Ø6

Low pressure flexible hose: Model#PST. Pressure range 0-4Mpa(0-40kgf/cm<sup>2</sup>).  
Middle pressure flexible hose: Model#PSM. Pressure range 4-8Mpa(40-80 kgf/cm<sup>2</sup>).  
Note :Length is available via customers demand.

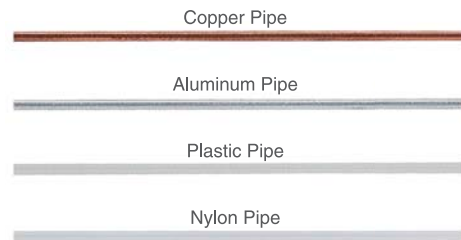
## STEEL WIRE SHIELD TUBE



Model	Pipe Diameter	Max. Operation Pressure Mpa(Kgf/cm <sup>2</sup> )
P-SF04	Ø4	15
P-SF06	Ø6	26

Note:Length is available via customers demand.

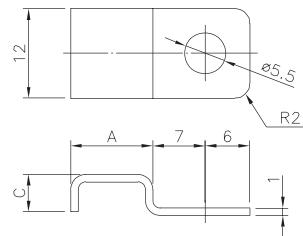
## PIPE



Description	Model	Specification			
Copper Pipe	P-CP	Bore	Ø4	Ø6	Ø8
		Minimum Bending Radius	R20	R30	R50
Aluminum Pipe	P-AP	Bore	Ø4	Ø6	Ø8
		Minimum Bending Radius	R20	R40	R40
Plastic Pipe	P-PP	Bore	Ø4	Ø6	Ø8
		Minimum Bending Radius	R20	R40	R40
Nylon Pipe	P-NP	Bore	Ø4	Ø6	Ø8
		Minimum Bending Radius	R20	R30	R50

Note:Plastic pipe is not recommended for piston lubrication system.

## PIPE CLIP



Model	Pipe Diameter	Number of holes	A	C	Weight(g)
PZ1104	Ø4	1	6	5	1.2
PZ1106	Ø6	1	8.5	7	2.6
PZ1108	Ø8	1	10	9	2.2
PZ1110	Ø10	1	12.5	11	3.6
PZ1204	Ø4	2	11	5	1.8
PZ1206	Ø6	2	14.5	7	2.8
PZ1304	Ø4	3	15	5	2.8

Note:Because of continuous improvements, above specifications are subject to change without prior notice.

## NYLON PIPE SPRING



Description	Model	Specification	Length
Nylon Pipe Spring	NPS	Ø4 and Ø6	1800±5mm

## NOZZLE



Specification	Length
PT1/4"	12" - 30"(±2")
PT3/8"	
PT1/2"	

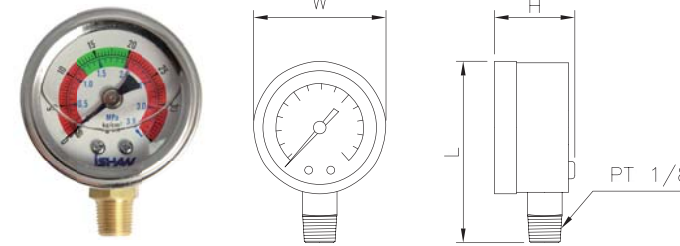
## FLEXIBLE NOZZLE



Specification
PT1/4"
PT3/8"
PT1/2"

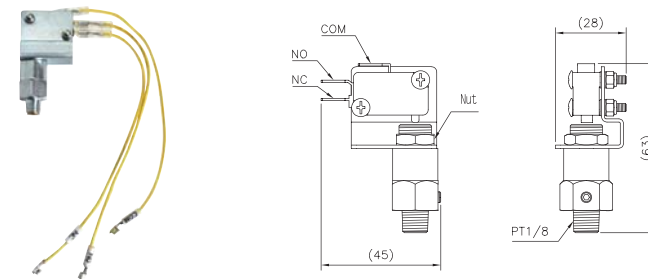
Note: The outlet has flat type and round type.

## VERTICAL PRESSURE GAUGE



Model	Specification MPa(kgf/cm <sup>2</sup> )	W	L	H	Weight(g)
327207	1.5(15)	42	58	24	53
327610	3.5(35)/Oil Charged	42	58	24	53

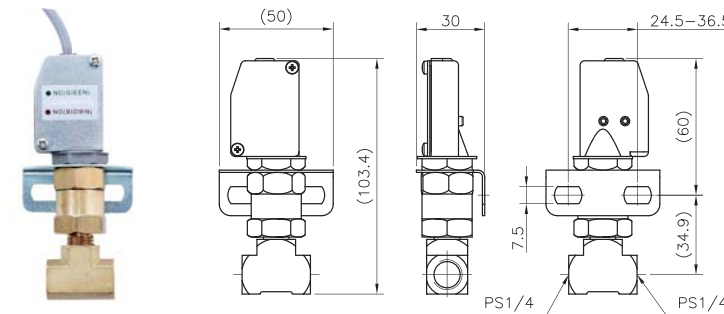
## PRESSURE SWITCH (MECHANICAL OPERATION)



Remark:  
1. The options of Normal Close and Normal Open.  
2. Different Output wire length is available via customer's demand.  
3. Capacity of Output is 5A. Max. CDA operation pressure is 3Mpa (30 kgf/cm<sup>2</sup>).

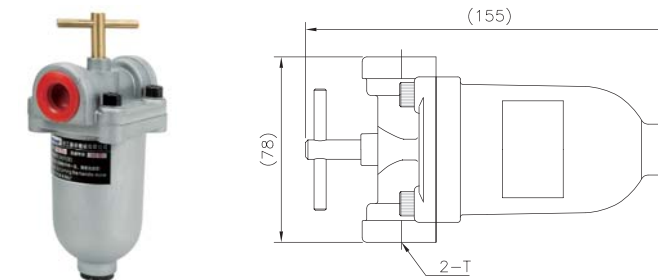
Model	Specification(kgf/cm <sup>2</sup> )	Weight(g)
321661	2.5-1.9	81
321660	12-9	81

## PISTON GREASE PRESSURE SWITCH



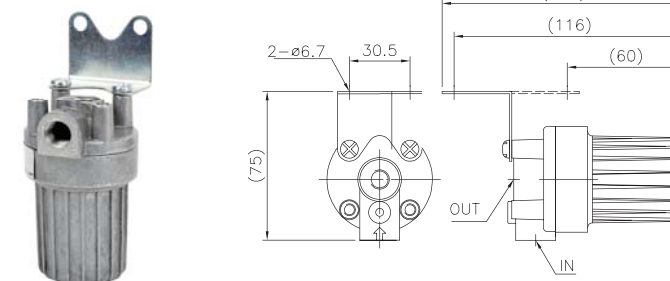
Model	Rated Voltage	Current	Max. Working Pressure MPa(kgf/cm <sup>2</sup> )	Operating Pressure MPa(kgf/cm <sup>2</sup> )	Reset Pressure MPa(kgf/cm <sup>2</sup> )
321700	AC 250V Max.	5.0A Max	10(100)	3(30)±20%	2.5(25)±20%
321701	AC 250V Max.	5.0A Max	10(100)	5.5(55)±20%	4.5(45)±20%

## ADJUSTABLE OIL FILTER



Model	Inlet/Outlet Thread	Filter Precision(Mesh)	Max. Output volume(L/min)	Max. Pressure
PR-C1	PS1/4xPS1/4	60	20L/min	1.5MPa (15kgf/cm <sup>2</sup> )
PR-C2	PS3/8xPS3/8	60	30L/min	
PR-C3	PS1/2xPS1/2	60	30L/min	

## FL OIL FILTER



Model	Max. Operation Pressure(Kgf/cm <sup>2</sup> )	Max. Output Volume(L/min)	Filter Precision (μ)	IN*OUT	Weight (g)
FL-010025	25	2.5	10	PS1/8xPS1/8	30
FL-025030	25	3	25	PS1/8xPS1/8	30
FL-125035	25	3.5	125	PS1/4xPS1/4	30

Accessories