

TPCK Series

Immersible Pump



WALRUS
WALRUS PUMP CO., LTD.

Contents

General Data	2
Sectional Drawing	3
Dimensions	4
Performance Curves/Technical Data	
TPCK 2T	5
TPCK 4T	7

TPCK Series Immersible Pump



50Hz

Power: 1.5 - 4.0 kW

Head: Up to 240 M

Flow: Up to 150 L/min

60Hz

Power: 2.2 - 4.0 kW

Head: Up to 260 M

Flow: Up to 180 L/min

Outlet: 1¼"

Applications

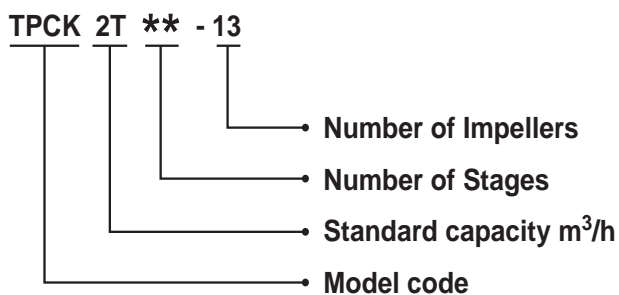
The TPCK Series is vertical multistage centrifugal pump, designed for industrial use, specially for machine tools, to carry fluids such as water, coolant, light oil and other clean, non aggressive matters.

- Industrial circulation system
- Washing/cleaning system
- Filtration system

Operating Conditions

1. Ambient temperature : Max. +40°C
2. Liquid temperature range : +0°C ~ +90°C
3. Operating pressure : Max. 30 kg/cm²
4. Submerged depth : Min. 40mm

Model code



Pump Construction

Immersible vertical multistage centrifugal pump, self-priming, coupling connection between pump and motor, stainless steel construction design ensures corrosion-free operation.

Motor

Nominal speed : 2860 or 3450 rpm

Frequency range : 50 or 60 Hz

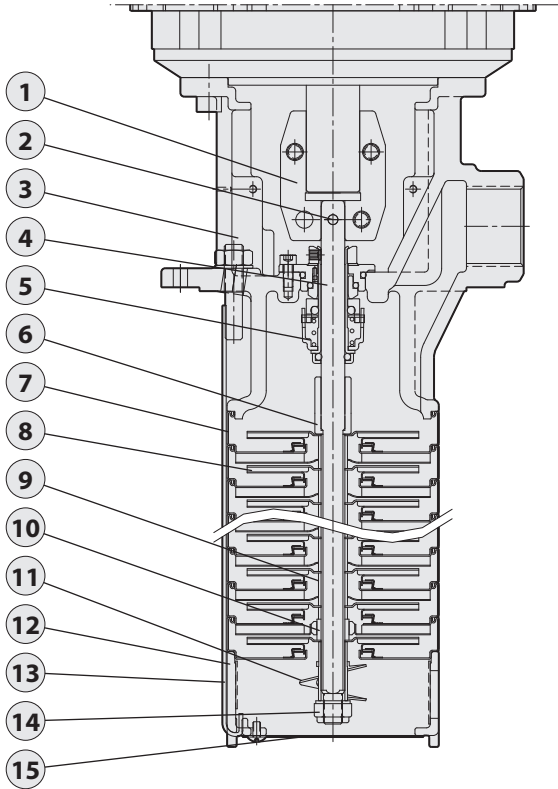
Standard voltages : 3Ø 198-242 / 342-418V

Enclosure class : IP54

Insulation class : F.

TPCK Series Immersible Pump

Sectional drawing



Materials

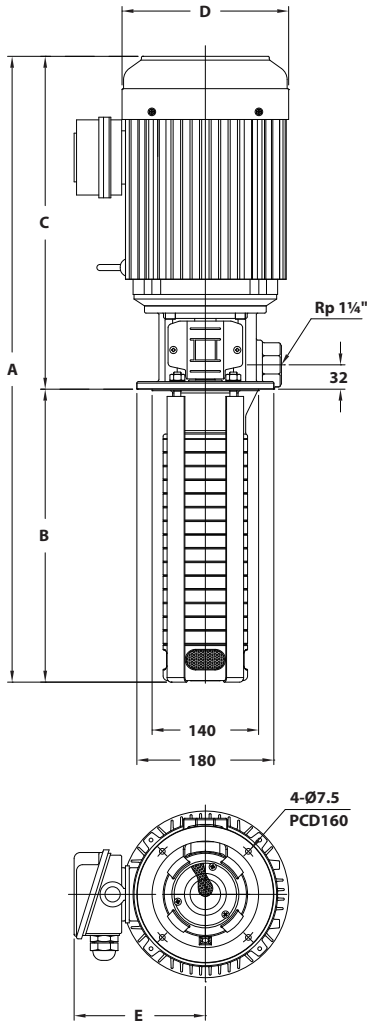
No.	Part name	Material
1	Coupling	SUS 304
2	Spring Pin	SUS 304
3	Pump Casing	Cast iron FCD 45
4	Shaft	SUS 304
5	Mechanical Seal	RTTH
6	Sleeve	SUS 304
7	Intermediate Chamber	SUS 304
8	Impeller	SUS 304
9	Sleeve (impeller)	SUS 304
10	Bearing	SiC
11	Priming Screw	SUS 304
12	Suction Interconnector	SUS 304
13	Strap	SUS 304
14	Lock Nut	SUS 316
15	Filter	SUS 304


Options on request

- Special mechanical seal

Mechanical seal type	Material	
	Stationary Face/ Rotary Face	Cup Gasket & O Ring
RTTH	(T)Tungsten/ (T)Carbide	(H) HNBR
RGTH	(G)Carbon/ (T)Tungsten	

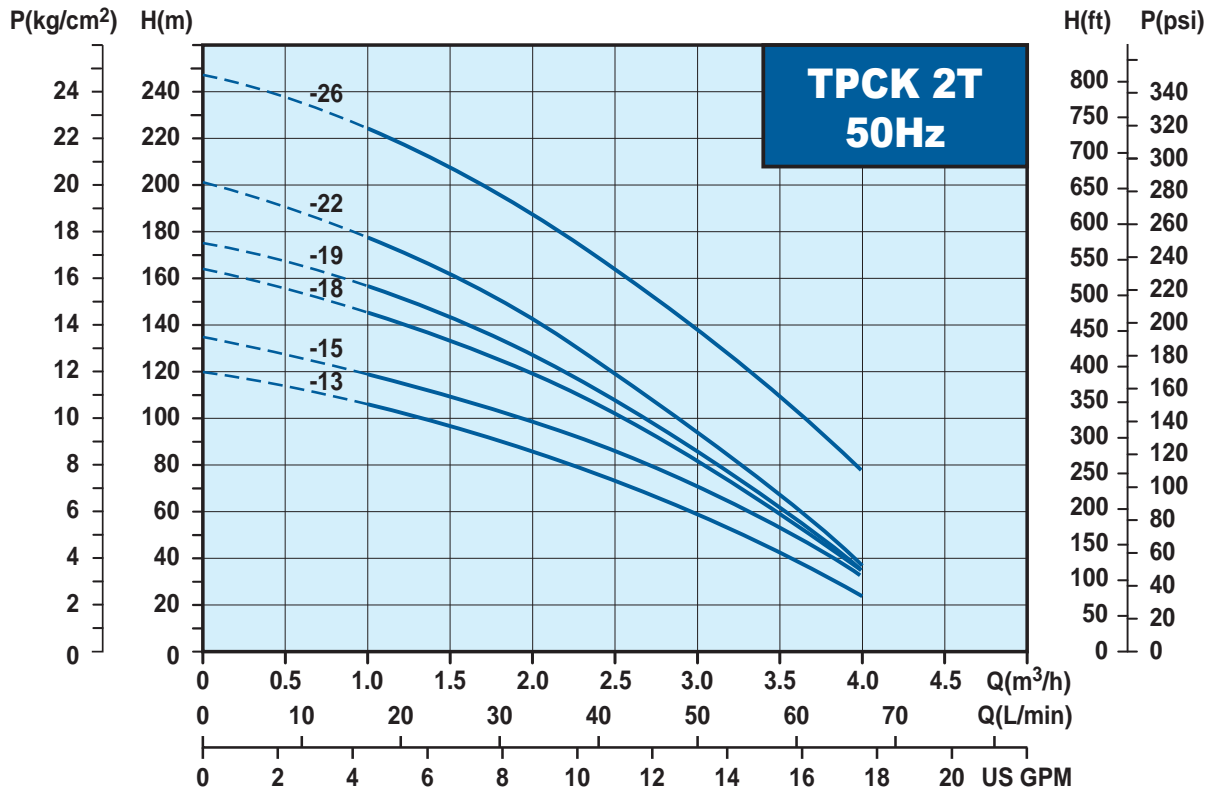
Dimensions (mm)



Model	A (mm)	B (mm)	C (mm)	D (mm)	E (mm)	N.W. (kg)	
TPCK 2T 60Hz							
TPCK2T 13-13	792	349	443	219	173	43.3	6
TPCK2T 15-15	828	385	443	219	173	43.5	6
TPCK2T 18-18	882	439	443	219	173	44.2	6
TPCK2T 20-20	918	475	443	219	173	45.5	6
TPCK2T 22-20	954	511	443	219	173	47.3	6
TPCK2T 26-20	1026	583	443	219	173	47.8	6
TPCK 2T 50Hz							
TPCK2T 13-13	724	349	375	175	142	28.8	6
TPCK2T 15-15	760	385	375	175	142	29.3	6
TPCK2T 18-18	814	439	375	175	142	30.0	6
TPCK2T 19-19	832	457	375	175	142	30.8	6
TPCK2T 22-22	886	511	375	175	142	31.3	6
TPCK2T 26-26	1026	583	443	219	173	47.6	6
TPCK 4T 60Hz							
TPCK4T 5 - 5	625	250	375	175	142	27.4	6
TPCK4T 6 - 6	652	277	375	175	142	27.7	6
TPCK4T 8 - 8	774	331	443	219	173	41.7	6
TPCK4T 10-10	828	385	443	219	173	43.1	6
TPCK4T 12-12	882	439	443	219	173	44.2	6
TPCK4T 14-12	936	493	443	219	173	44.6	6
TPCK4T 16-12	990	547	443	219	173	45.0	6
TPCK4T 17-12	1017	574	443	219	173	45.2	6
TPCK4T 19-12	1071	628	443	219	173	45.8	6
TPCK4T 22-12	1152	709	443	219	173	46.4	6
TPCK 4T 50Hz							
TPCK4T 8 - 8	706	331	375	175	142	27.1	6
TPCK4T 10-10	760	385	375	175	142	29.0	6
TPCK4T 12-12	814	439	375	175	142	29.4	6
TPCK4T 14-14	936	493	443	219	173	43.3	6
TPCK4T 16-16	990	547	443	219	173	44.8	6
TPCK4T 19-19	1071	628	443	219	173	46.1	6
TPCK4T 22-22	1152	709	443	219	173	47.6	6

TPCK 2T

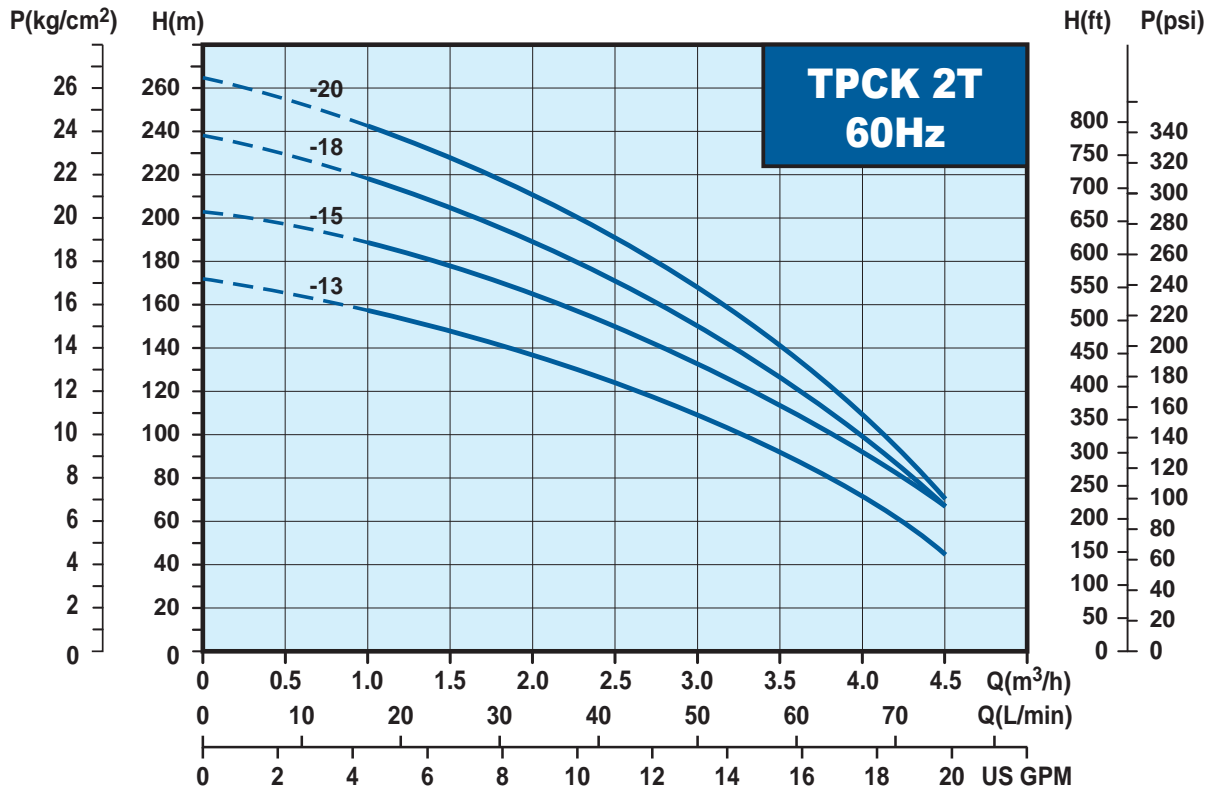
Performance curve, 50Hz



Electrical data, 50Hz

Model	PH (Ø)	Power (kW)	Volts (V)	Ampere (A)
TPCK2T 13-13	3	1.5	198-242 / 342-418	6.2-5.1 / 3.6-2.9
TPCK2T 15-15	3	1.5	198-242 / 342-418	6.2-5.1 / 3.6-2.9
TPCK2T 18-18	3	2.2	198-242 / 342-418	8.9-7.3 / 5.1-4.2
TPCK2T 19-19	3	2.2	198-242 / 342-418	8.9-7.3 / 5.1-4.2
TPCK2T 22-22	3	2.2	198-242 / 342-418	8.9-7.3 / 5.1-4.2
TPCK2T 26-26	3	3.0	198-242 / 342-418	11.4-9.3 / 6.6-5.4

Performance curve, 60Hz

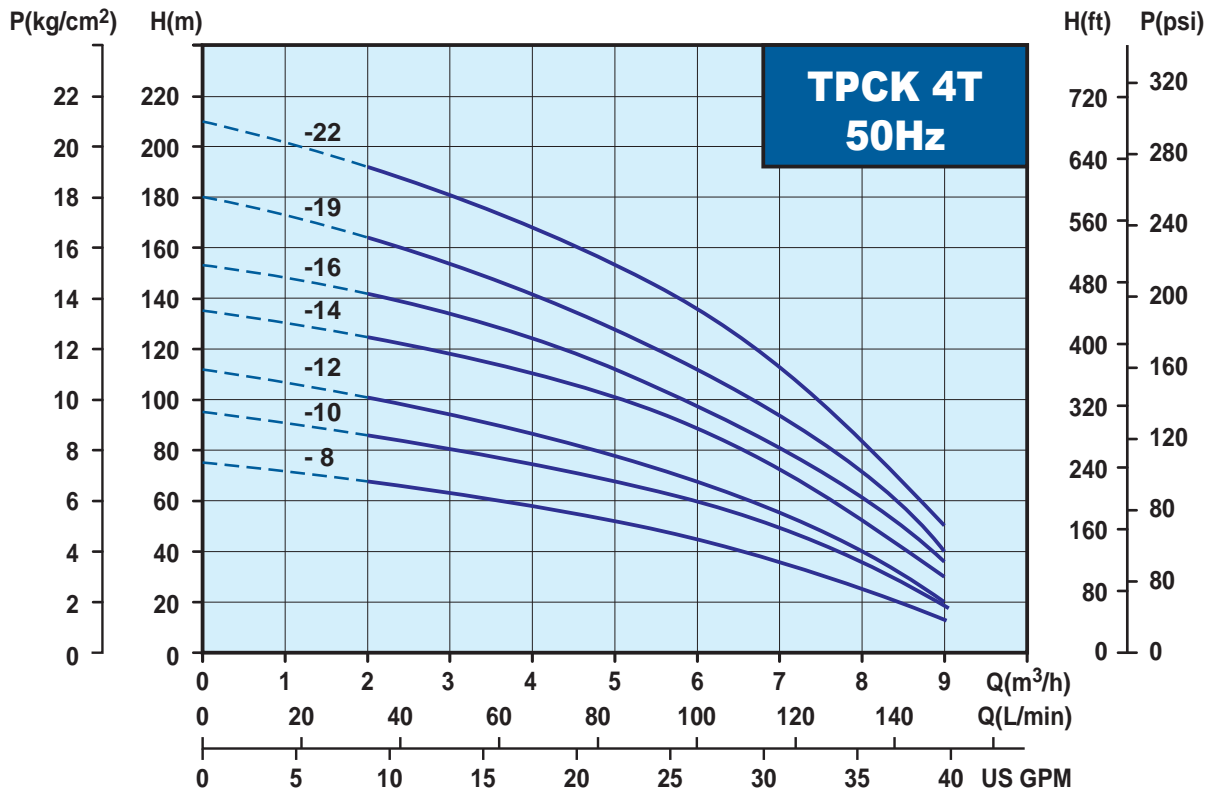


Electrical data, 60Hz

Model	PH (Ø)	Power (kW)	Volts (V)	Ampere (A)
TPCK2T 13-13	3	3.0	198-242 / 342-418	11.4-9.3 / 6.6-5.4
TPCK2T 15-15	3	3.0	198-242 / 342-418	11.4-9.3 / 6.6-5.4
TPCK2T 18-18	3	4.0	198-242 / 342-418	16.6-13.6 / 9.6-7.9
TPCK2T 20-20	3	4.0	198-242 / 342-418	16.6-13.6 / 9.6-7.9

TPCK 4T

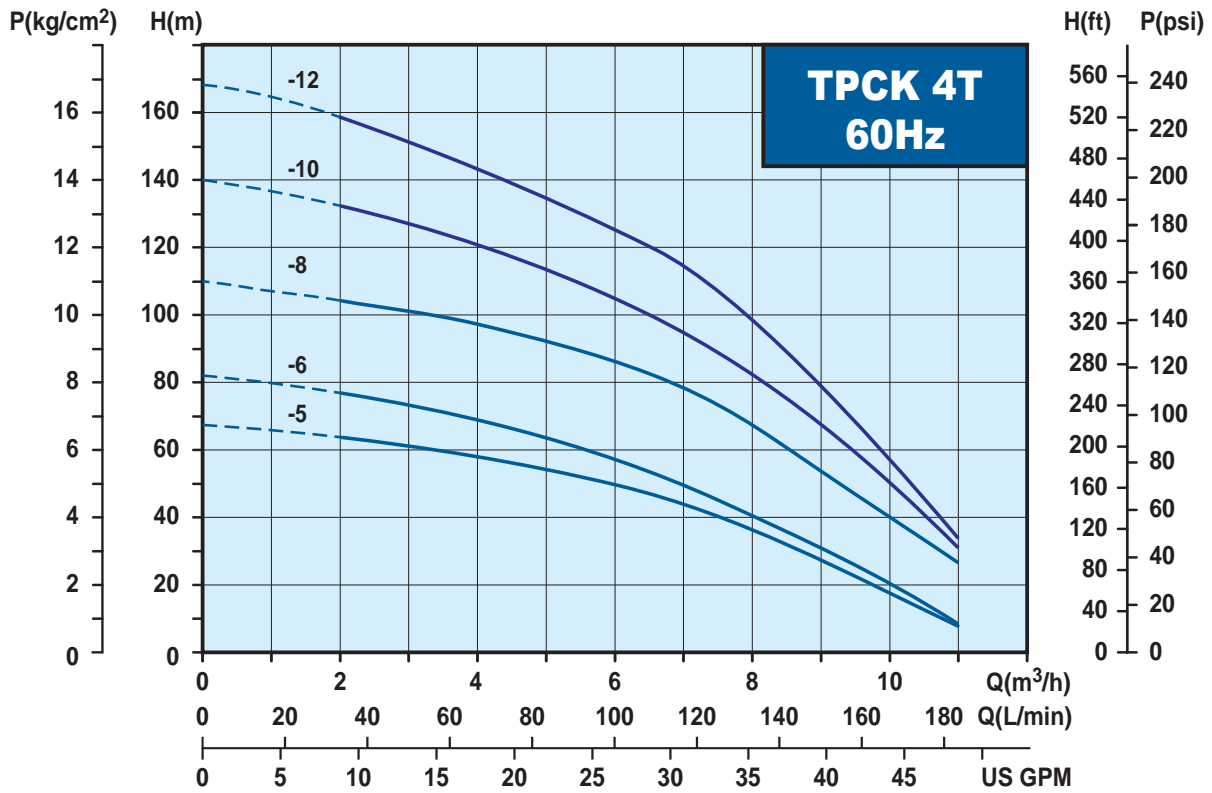
Performance curve, 50Hz



Electrical data, 50Hz

Model	PH (Ø)	Power (kW)	Volts (V)	Ampere (A)
TPCK4T 8 - 8	3	1.5	198-242 / 342-418	6.2-5.1 / 3.6-2.9
TPCK4T 10-10	3	2.2	198-242 / 342-418	8.9-7.3 / 5.1-4.2
TPCK4T 12-12	3	2.2	198-242 / 342-418	8.9-7.3 / 5.1-4.2
TPCK4T 14-14	3	3.0	198-242 / 342-418	11.4-9.3 / 6.6-5.4
TPCK4T 16-16	3	3.0	198-242 / 342-418	11.4-9.3 / 6.6-5.4
TPCK4T 19-19	3	4.0	198-242 / 342-418	16.6-13.6 / 9.6-7.9
TPCK4T 22-22	3	4.0	198-242 / 342-418	16.6-13.6 / 9.6-7.9

Performance curve, 60Hz



Electrical data, 60Hz

Model	PH (Ø)	Power (kW)	Volts (V)	Ampere (A)
TPCK4T 5 - 5	3	2.2	198-242 / 342-418	8.9-7.3 / 5.1-4.2
TPCK4T 6 - 6	3	2.2	198-242 / 342-418	8.9-7.3 / 5.1-4.2
TPCK4T 8 - 8	3	3.0	198-242 / 342-418	11.4-9.3 / 6.6-5.4
TPCK4T 10-10	3	4.0	198-242 / 342-418	16.6-13.6 / 9.6-7.9
TPCK4T 12-12	3	4.0	198-242 / 342-418	16.6-13.6 / 9.6-7.9



Memo





WALRUS
www.walruspump.com