

SLANT BED LATHE - SPECIFICATION

ITEM	MODEL	ATC-600	ATC-700	ATC-800	ATC-900
Machining capability	Distance between centers	1000, 1500, 2000, 3000, 4000, 5000, 6000mm			
	Swing over bed	600mm	700mm	800mm	900mm
	Swing over gap	900x450	1000x450	1100x450	1200x450
Main spindle	Spindle nose	D1-8, 104mm : L 60°230, M 230°680, H 680°2000rpm			
	Spindle bore	D1-11, 130mm : L 40°130, M 130°400, H 400°1200rpm			
	Spindle speed (rpm)	A2-11, 165mm : L 20°110, M 110°320, H 320°660rpm			
		A2-15, 230mm : L 20°110, M 110°320, H 320°660rpm			
Travel	X axis	460mm	460mm	460mm	460mm
	Y axis (Optional)	± 50mm	± 100mm	± 150mm	± 150mm
	Z axis	1020/1520/2020/3020/4020/5020/6020mm			
	Feeds	15M/min			
Motors	X axis rapid traverse	6M/min			
	Y axis rapid traverse (Optional)	15M/min			
	Z axis rapid traverse	0.001-500mm/rev (0.0004°-20°/rev)			
	Cutting feed rate	Spindle motor 22kw			
Machining capability	Main motor	AC servo motor 3.0kw, 12Nm			
	X axis servo motor	AC servo motor 3.0kw, 12Nm, ABS			
	Y axis servo motor (Opt)	AC servo motor 6.0kw, 38Nm			
	Z axis servo motor	100W			
Machining capability	Lubrication pump	450W, 6~10 bar			
	Coolant pump	5hp (3.7kw)			
	Hydraulic tank pump (optional)	70L			
	Hydraulic tank (optional)	2L			
Machining capability	Lubrication pump	100L			
	Coolant tank	30mm / pitch 10			
	X axis diameter	30mm / pitch 10			
	Y axis diameter	50mm / pitch 10			
Machining capability	Z axis diameter	115mm / 160mm (opt)			
	Quill diameter	270mm			
	Quill travel	MT6			
	Quill taper	3900, 4400, 4900, 5900, 6900, 7900, 8900mm			
Machining capability	Length	2300mm			
	Height	2300mm			
	Width	8500, 9500, 10500, 12000, 14000, 16000, 18000			
	Net weight (approx.)(kg)	Chuck only			
Weight capacity	Chuck only	Chuck+Tailstock	Chuck + 1 steady rest + tailstock		Chuck + 2 steady rest + tailstock
	800kg	4000kg	5000kg		6000kg

Above specifications are subject to change without notice. Special requirement please contact with us.

SLANT BED LATHE - SPECIFICATION

ITEM	MODEL	ATC-1000	ATC-1100	ATC-1200	ATC-1300
Machining capability	Distance between centers	2000, 3000, 4000, 5000, 6000, 7000, 8000, 9000, 10000mm			
	Swing over bed	1000	1100	1200	1300
	Swing over gap	1300x600	1400x600	1500x600	1600x600
Main spindle	Spindle nose	A2-11, 165mm : L 20°110, M 110°320, H 320°660rpm			
	Spindle bore	A2-15, 230mm : L 20°110, M 110°320, H 320°660rpm			
	Spindle speed (rpm)	A2-20, 310mm : L 20°100, M 100°200, H 200°400rpm			
		A2-28, 410mm : L 20°80, M 80°150, H 150°250rpm			
Travel	X axis	620mm	620mm	620mm	620mm
	Y axis (Optional)	± 150mm	± 200mm	± 250mm	± 250mm
	Z axis	2080, 3080, 4080, 5080, 6080, 7080, 8080, 9080, 10080mm			
	Feeds	15M/min			
Motors	X axis rapid traverse	6M/min			
	Y axis rapid traverse (Optional)	15M/min			
	Z axis rapid traverse	0.001-500mm/rev (0.0004°-20°/rev)			
	Cutting feed rate	Spindle motor 37kw			
Machining capability	Main motor	AC servo motor 7.0kw, 30Nm			
	X axis servo motor	AC servo motor 7.0kw, 30Nm, ABS			
	Y axis servo motor (Opt)	AC servo motor 6.0kw, 38Nm			
	Z axis servo motor	100W			
Machining capability	Lubrication pump	450W, 6~10 bar			
	Coolant pump	5hp (3.7kw)			
	Hydraulic tank pump (optional)	70L			
	Hydraulic tank (optional)	2L			
Machining capability	Lubrication pump	100L			
	Coolant tank	40mm / pitch 10			
	X axis diameter	40mm / pitch 10			
	Y axis diameter	63mm / pitch 10			
Machining capability	Z axis diameter	160mm / A2-8 250mm (opt)			
	Quill diameter	200mm			
	Quill travel	MT6			
	Quill taper	5340/6340/7340/8340/9340/10340/11340/12340/13340mm			
Machining capability	Length	3000mm			
	Height	3000mm			
	Width	20000, 22000, 25000, 28000, 31000, 34000, 37000, 40000, 43000			
	Net weight (approx.)(kg)	Chuck only			
Weight capacity	Chuck only	Chuck+Tailstock	Chuck + 1 steady rest + tailstock		Chuck + 2 steady rest + tailstock
	1000kg	4000kg	7000kg		10000kg

Above specifications are subject to change without notice. Special requirement please contact with us.



CNC SLANT BED LATHE

ATC-600~900
ATC-1000~1300

Long Y axis travel + Gap



ANN YANG MACHINERY CO., LTD.

NO. 62, FENG GONG S RD., SHEN KANG DIST., TAICHUNG 42942, TAIWAN
(FENG-ZHOU HIGH-TECH IND.PARK)
Tel : +886-4-25270198 Fax : +886-4-25270199
Website : www.annnyang.com E-mail : cnc@annnyang.com

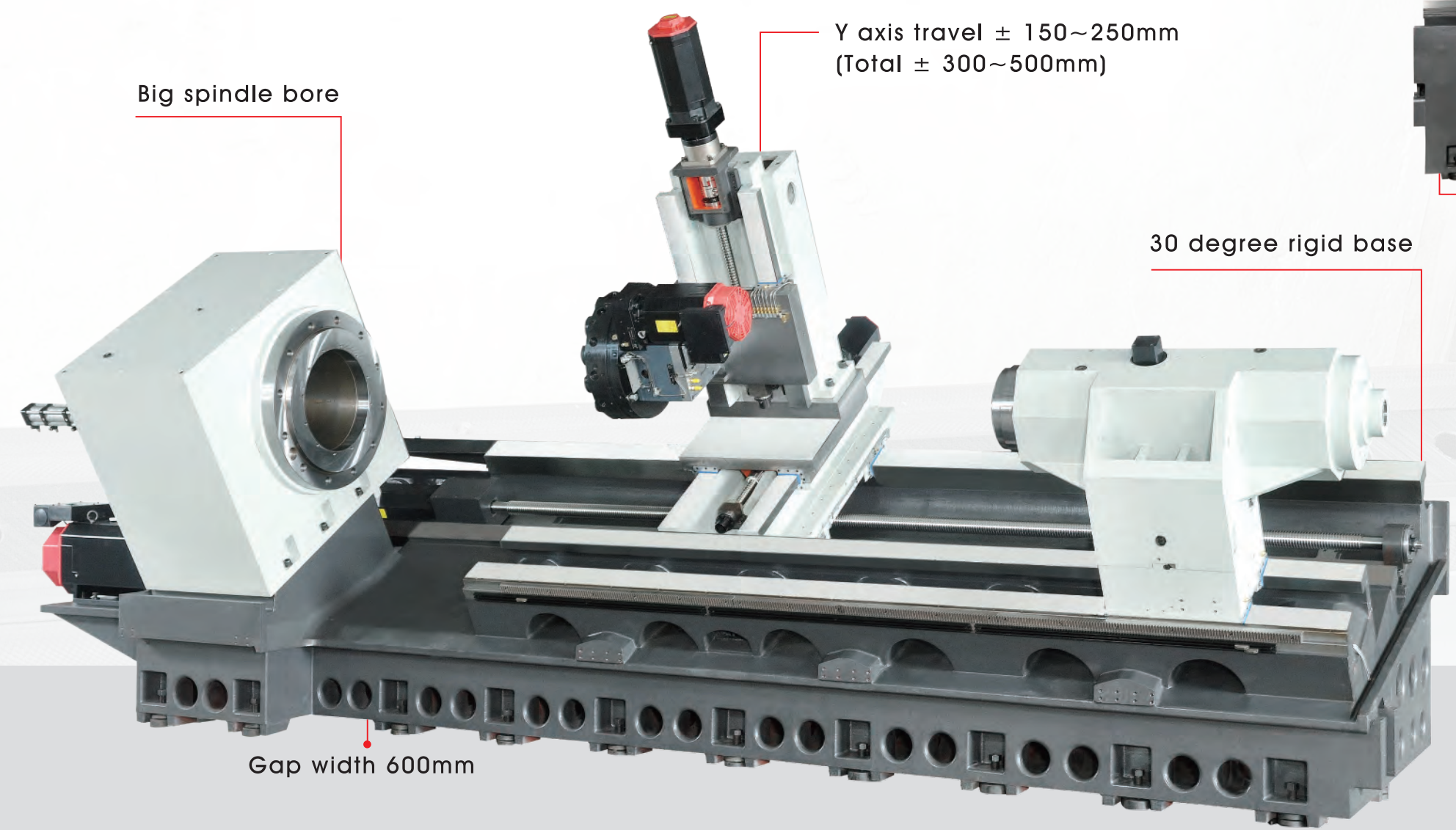


www.annnyang.com

PRODUCTION LINE OF CNC LATHE



Annn Yang Machinery Co., Ltd. is located in the modern Feng Zhou High Tech Industrial Park in Taichung, Taiwan. Since its inception in 1990, Annn Yang has been developing lathes for the international market, producing precision built machines that are both unique in design and function. Through innovation and aggressive investment in many cutting-edge resources when developing new products, Annn Yang constantly makes advances in the lathe industry.

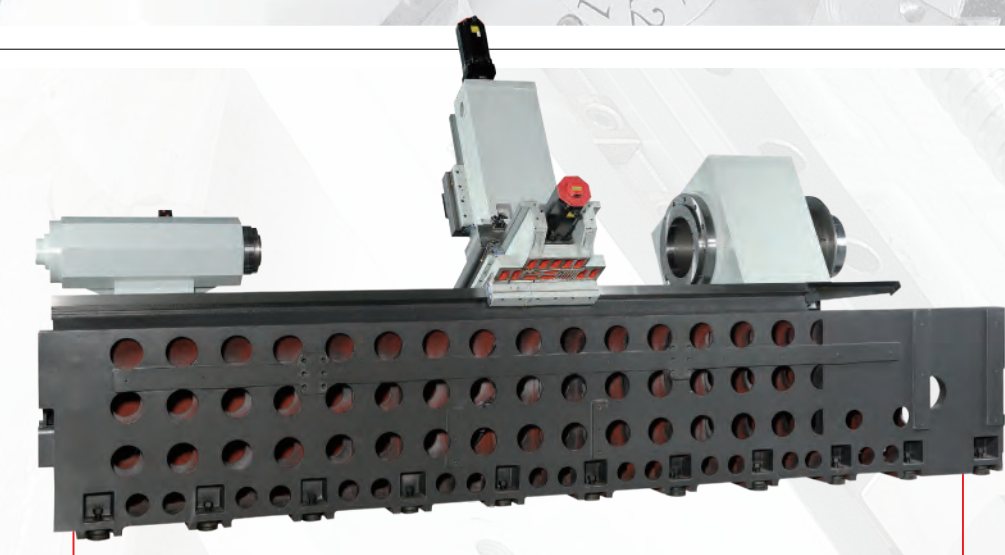


Big spindle bore

Y axis travel $\pm 150\sim 250\text{mm}$
(Total $\pm 300\sim 500\text{mm}$)

30 degree rigid base

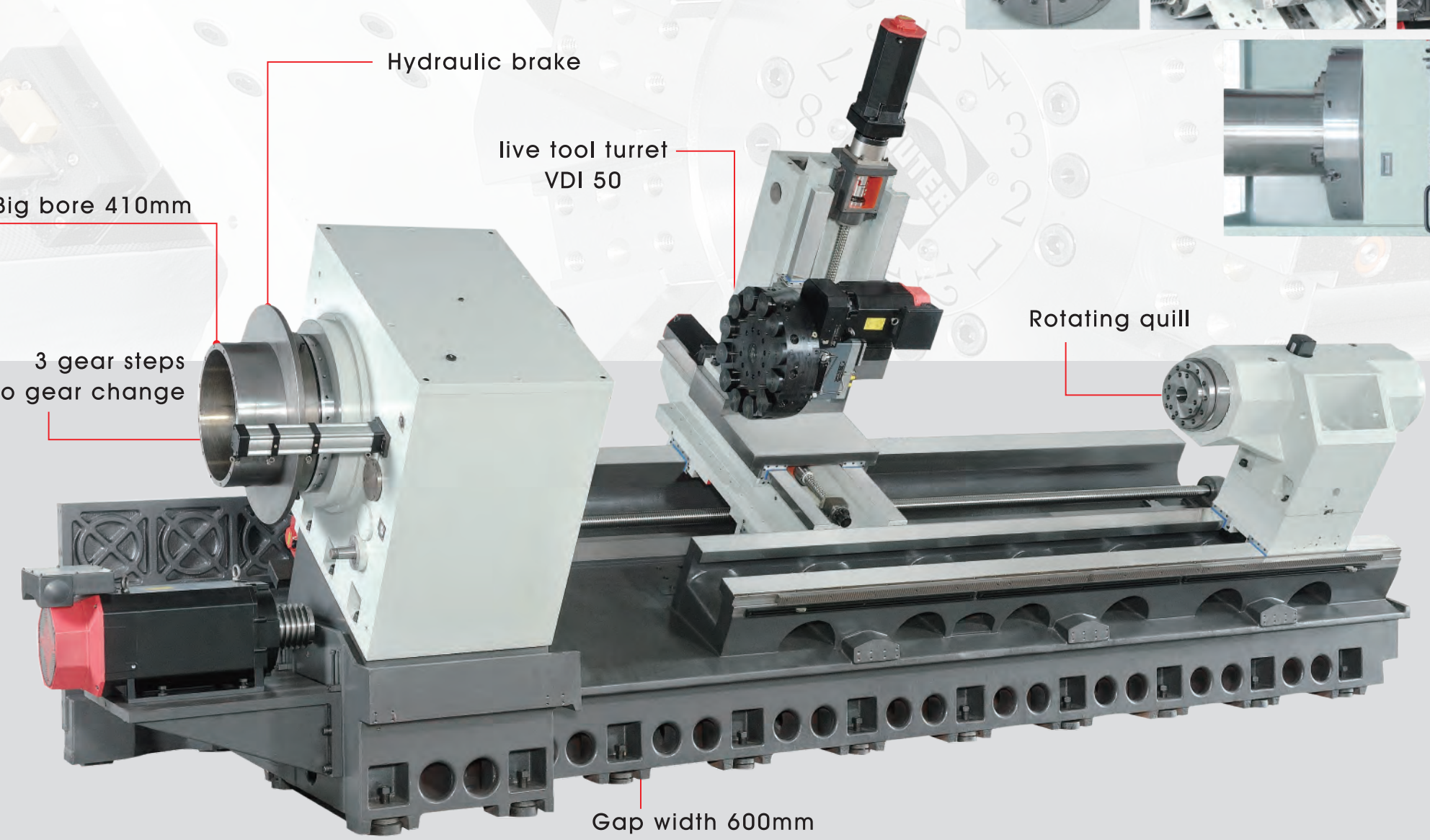
Gap width 600mm



Extra rigid base

Big bore 410mm

3 gear steps
Auto gear change



Hydraulic brake

live tool turret
VDI 50

Rotating quill

Gap width 600mm

CNC SLANT BED LATHE

ATC-600~900
ATC-1000~1300