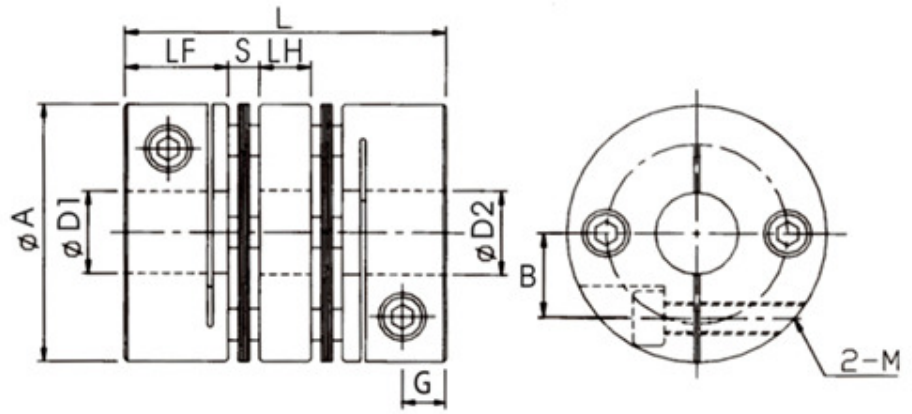


# SHC-C 鋼片聯軸器 / Plate Flexible Coupling



SHC-  C-  -   
 外徑                      D1                      D2  
 Diameter

## ◆尺寸表 / Dimension

單位 / unit:mm

規格 No.	A	LF	S	L	M	G	B	D1×D2	
								min	max
SHC-27C	27	10.8	2.9	34.9	M3	3.5	9	5	10
SHC-35C	35	12	3	38	M3	4.5	12	6	14
SHC-40C	40	15.5	3.3	47.6	M4	4.8	14	8	16
SHC-45C	45	15.5	3.6	48.2	M4	4.8	16.5	10	19
SHC-56C	56	20.5	4	62	M5	6.5	21	12	25
SHC-68C	68	24.5	4.2	73.4	M6	7.2	24	14	32
SHC-82C	82	29.8	8.8	98.7	M8	9	28	19	35
SHC-94C	94	30	9.4	100.8	M8	9	33	22	45
SHC-104C	104	30	10	102	M8	9	39	22	48

## ◆特性表 / Specification

規格 No.	常用扭力 Rated Torque (N.m)	最大扭力 Max. Torque (N.m)	容許角度偏差 Allowable Angular Error			最高轉速 Max. Rotational (rpm)	慣性矩 Moment of Inertia (Kg.m <sup>2</sup> )	重量 Weight (g)
			偏心 Error of Eccentricity (mm)	偏角 Error of Angularity (o)	軸向位移 Axial End-Play (mm)			
SHC-27C	1.8	3.6	0.15	1	±0.33	10000	3.41 × 10 <sup>-6</sup>	35.0
SHC-35C	4.0	8.0	0.17	1	±0.40	10000	11.3 × 10 <sup>-6</sup>	62.0
SHC-40C	6.0	14.0	0.23	1	±0.50	10000	26.3 × 10 <sup>-6</sup>	116.0
SHC-45C	10.0	20.0	0.23	1	±0.60	10000	41.7 × 10 <sup>-6</sup>	131.0
SHC-56C	25.0	52.0	0.27	1	±0.80	10000	136.1 × 10 <sup>-6</sup>	310.0
SHC-68C	60.0	124.0	0.31	1	±0.90	10000	366.9 × 10 <sup>-6</sup>	365.0
SHC-82C	100.0	200.0	0.52	1	±1.10	10000	1070 × 10 <sup>-6</sup>	1300.0
SHC-94C	180.0	360.0	0.50	1	±1.3	10000	1750 × 10 <sup>-6</sup>	1500.0
SHC-104C	250.0	500.0	0.50	1	±1.6	10000	2650 × 10 <sup>-6</sup>	1500.0

## ◆特性 / Features

- 高剛性 / High Rigidity
- 適用於伺服馬達 / Applicable for Servo Motor
- 高扭力 / High Torque
- 緩衝材：不銹鋼彈片 / Buffer Material : Stainless
- 低慣性 / Low Moment of Inertia
- 固定方式：夾緊式 / Fix Type : Clamping
- 零背隙 / Backlash-free