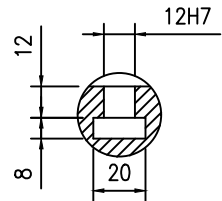
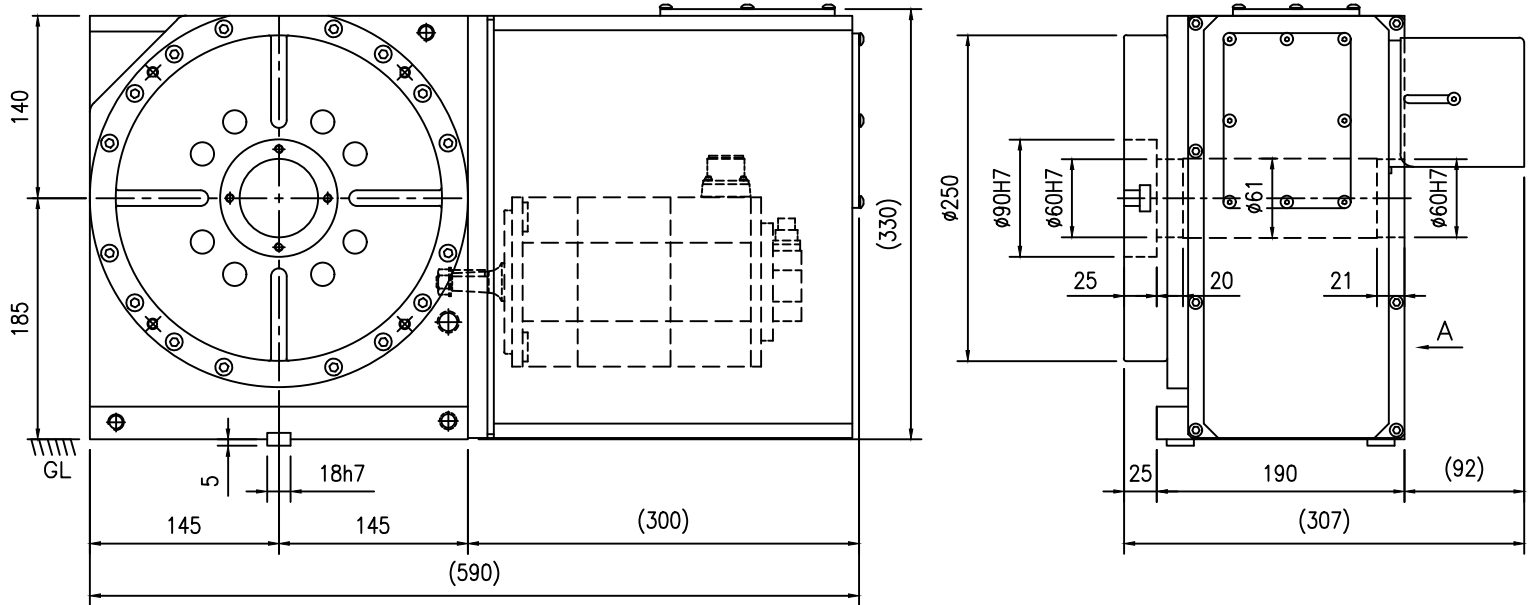


# RD250-60-360°

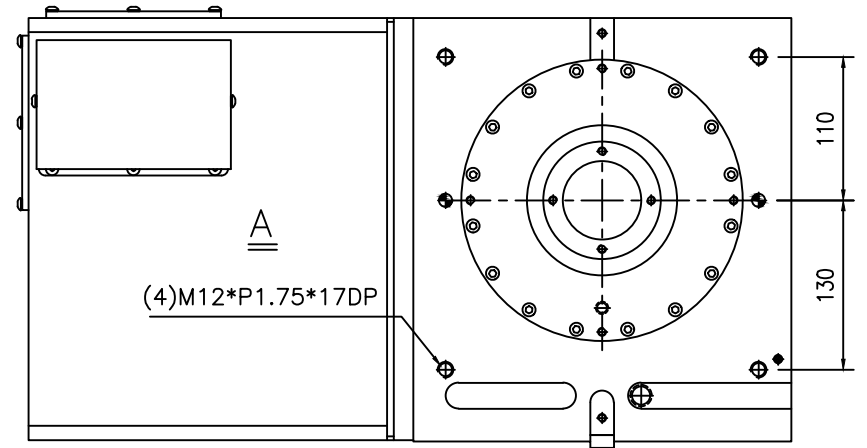
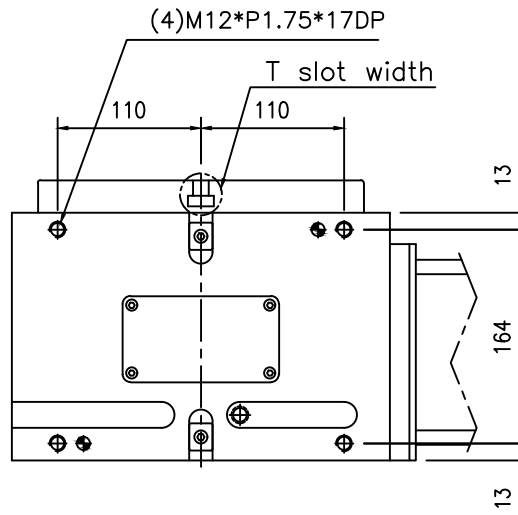


T slot width(1:2)



PS.Without servo motor,  
Amplifier,Encoder & cables

Item/Model	Unit	specification
Table Diameter	mm	φ250
Center height	mm	185
Center bore (Front spindle hole)	mm	φ90H7
Center bore (Through hole)	mm	φ60H7
T slot width	mm	12H7
Guide block width	mm	18h7
Servo motor	straight stem by buyer	Fanuc (Tapered) α8/3000i
Gear ratio		60
Allowable cutting torque	kg·m	80
Table max	RPM	50
Clamp system		Pneumatic
Clamp pressure	kg/cm <sup>2</sup>	6
Clamp output torque at brake	kg m	20
Indexing accuracy	sec	14
Repeatability accuracy	sec	4
Weight	kg	126



Part Title	Dimension Drawing	Revision	A	Scale	1:6	Designer		DeShi Cam CO.,LTD -C.C.S- Customer confirmation sheet
Part NO.	RD250DEX00001	Quantity		Checked		Sales Confirm		
				Customer Confirm				