

# Eumach

*Always Step Ahead*



**VMC-2150 / 2600 / 3200**

**VERTICAL MACHINING CENTER**

**新衛立式綜合加工機**

**A PROFESSIONAL CNC MACHINES MANUFACTURER**

# VMC-2150



- 2150MM / 1100MM / 900MM TRAVEL (三軸行程)
- 15KW/18.5KW~30KW/37KW SPINDLE MOTOR (強力主軸)
- ABOVE PHOTO'S FULL GUARD & ROTARY TABLE ARE OPTIONS  
(照片中全密式鈹金刀臂式刀庫及第四軸旋轉工作台為選購配備)
- 24~40 ATC (自動換刀)
- 21000KG (機械重量)

- SPINDLE HEAD IS INTERNALLY WRAPPED BY COLUMN SLIDWAYS TO GIVE MUCH MORE RIGIDITY & STIFFNESS THAN COMPETITORS' TRADITIONAL DESIGN.
- 主軸頭內包於立柱，較一般同業傳統外包式，更具備最佳剛性適合重切削而不振動。



**COLUMN:**

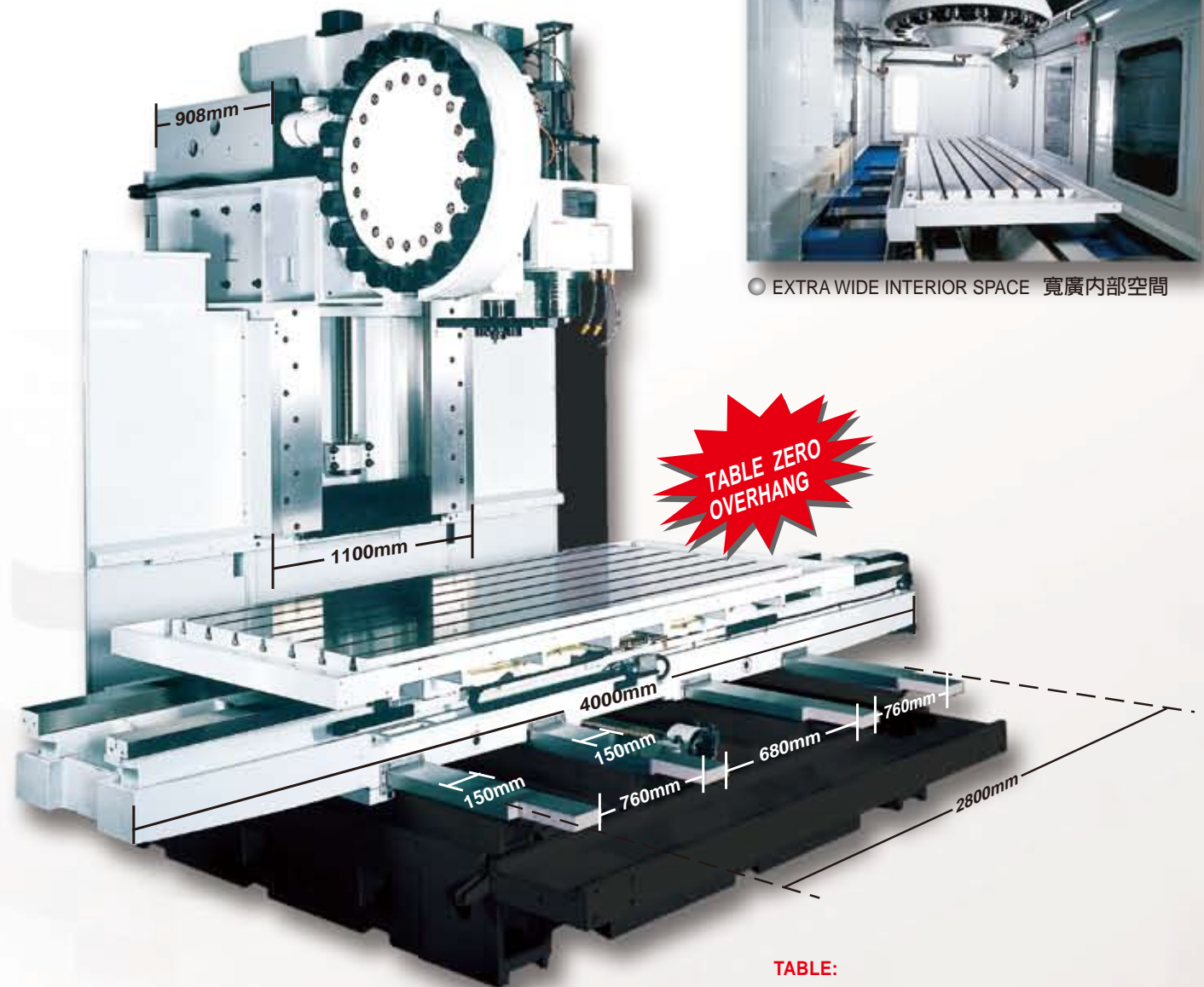
THE OVERSIZED BOX TYPE COLUMN 908MM(L) x 1100MM(W) x 2450MM(H). THE BEST SUPPORT AT SPINDLE HEAD HEAVY CUTTING AND COLUMN STIFFNESS.

**立柱：**

超大型908MM x 1100MM x 2450MM 立柱足以支撐重切削。



● EXTRA WIDE INTERIOR SPACE 寬廣內部空間



**SADDLE:**

4 METERS LENGTH SUPER HEAVY SADDLE, GUARANTEED NO TABLE OVERHANG FOR TABLE MOVEMENT.

**鞍座：**

4公尺長鞍座，保證工作台無外懸，而為全支撐設計。

**TABLE:**

STANDARD 2200MM x 1220MM EXTRA WIDE WORKING TABLE HANDLES BIG HEAVY WORKPIECE.

**工作台：**

標準 2200MM x 1220MM 超寬工作台，可承載大型工件。

# VMC-2600



● DIRECTLY COUPLED BETWEEN BALLSCREW AND SERVO MOTOR (三軸直接傳動)



- 2600MM / 1100MM / 900MM TRAVEL (三軸行程)
- 15KW/18.5KW~30KW/37KW SPINDLE MOTOR (強力主軸)
- ABOVE PHOTO'S FULL GUARD & 40ARM ATC ARE OPTIONS (照片中全密式鈹金及40刀臂式刀庫為選配)
- 24~40ATC (自動換刀)
- 22000 KG (機械重量)
- 6 HEAVY DUTY BOX WAY IN Y AXIS (Y軸6條方軌)

● STANDARD TABLE SPLASH GUARD  
標準工作台式鉸金



**COLUMN:**

THE OVERSIZED BOX TYPE COLUMN 908MM(L) x 1100MM(W) x 2450MM(H). THE BEST SUPPORT AT SPINDLE HEAD HEAVY CUTTING AND COLUMN STIFFNESS.

**立柱：**

超大型 908MM x 1100MM x 2450MM 立柱足以支撐重切削。

**TABLE:**

STANDARD 2650MM x 1220MM EXTRA WIDE WORKING TABLE HANDLES BIG HEAVY WORKPIECE.

**工作台：**

標準 2650MM x 1220MM 超寬工作台，可承載大型工件。

**SADDLE:**

4.9 METERS LENGTH SUPER HEAVY SADDLE, GUARANTEED NO TABLE OVERHANG FOR TABLE MOVEMENT.

**鞍座：**

4.9公尺長鞍座，保證工作台無外懸，而為全支撐設計。



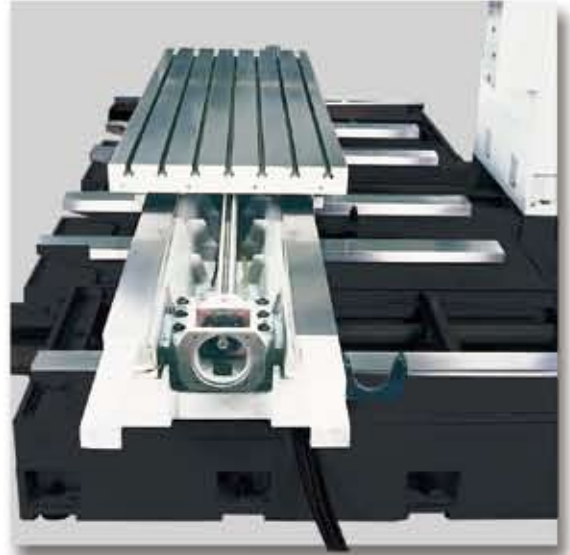
# VMC-3200

- 3200MM / 1100MM / 900MM TRAVEL (三軸行程)
- 15KW/18.5KW~30KW/37KW HIGH TORQUE SPINDLE MOTOR (強力主軸)
- PHOTO BELOW FULL GUARD & 40ARM ATC ARE OPTIONS  
(照片中全密式鈹金及40刀臂式刀庫為選購配備)
- 24~40 ATC (自動換刀)
- 6 HEAVY DUTY BOX WAY IN Y AXIS (Y軸6條方軌)
- 24000 KG (機械重量)

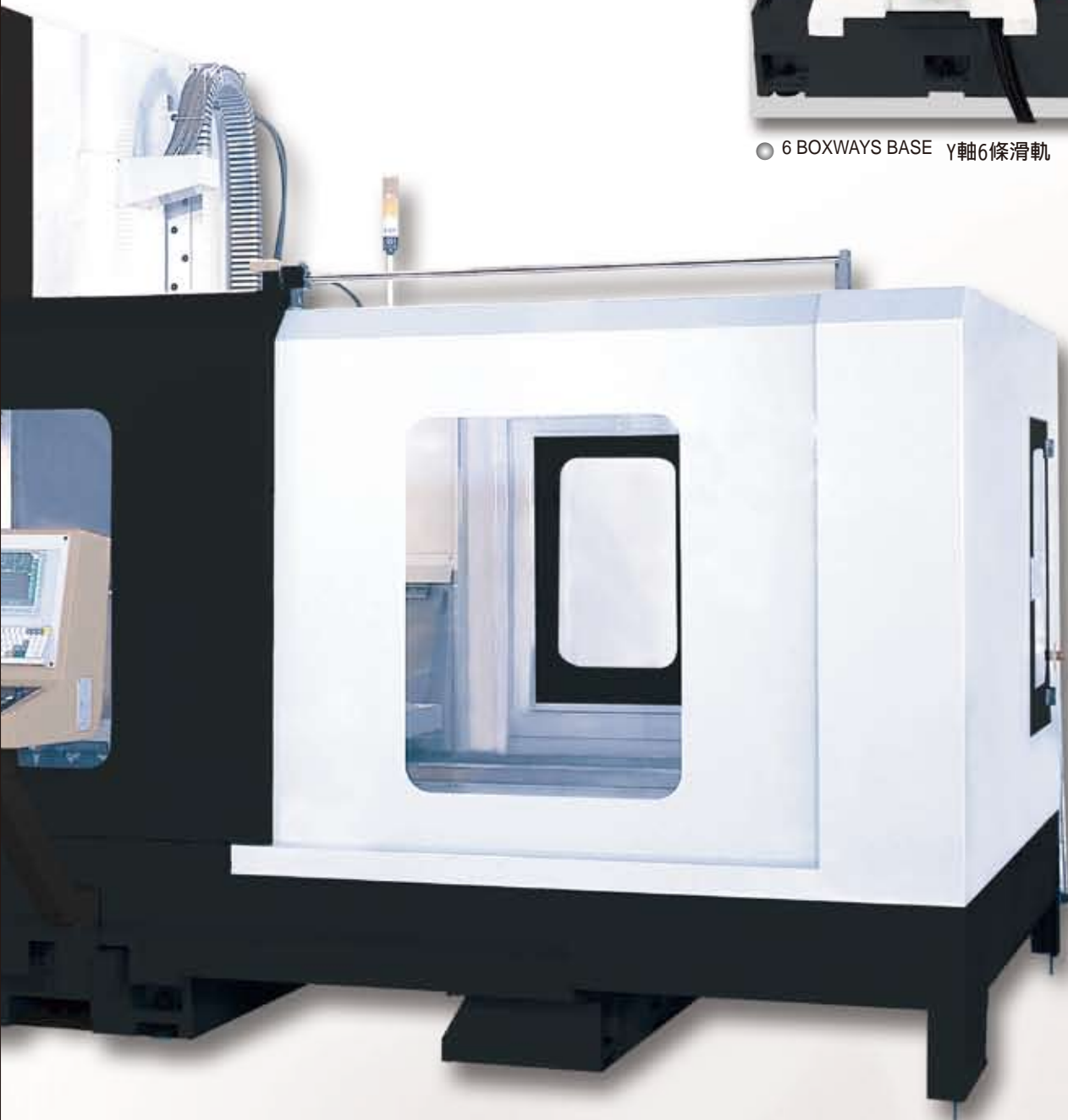




● EXTRA WIDE INTERIOR SPACE 寬廣內部空間



● 6 BOXWAYS BASE Y軸6條滑軌



# GUARANTEED MACHINE ACCURACY 機械保證精度



● BALL BAR TEST (循圓測試)



● LASER INSPECTED (雷射檢驗)

STANDARD 標準 ACCURACY 精度	JIS REQUIRED 日本JIS標準要求	EUMACH GUARANTEED 新衛保證	VDI 3441 方式檢測 GUARANTEED 保證
POSITIONING 定位	0.02MM / 300MM	±0.005MM / 300MM	P 0.014MM
REPEATABILITY 重覆	±0.01MM	±0.003MM	PS 0.01MM

# CNC CONTROLS AVAILABLE 控制器可選擇



● SIEMENS (西門子)  
840D / 828D



● HEIDENHAIN (海德漢)  
TNC-i530



● MITSUBISHI 三菱



● FANUC 發那科  
O i-MD/31 i-MB



## OPTIONAL ACCESSORIES (選購配件)



● TOOL LENGTH & RADIUS MEASUREMENT  
刀具量測



● TOOL LASER MEASUREMENT  
雷射刀具量測



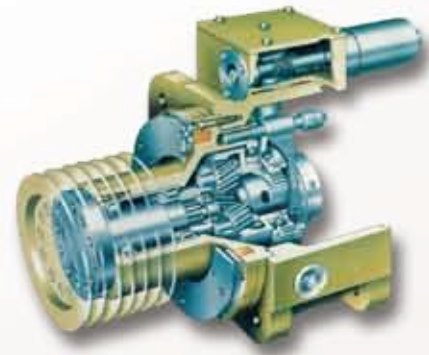
● ARM TYPE AUTOMATIC TOOL CHANGE  
32 / 40 TOOLS  
刀臂式自動換刀



● WORKPIECE PROBE  
工件量測



● CNC ROTARY TABLE  
第4軸旋轉工作台



● PLANETARY GEARBOX HEAD  
行星式齒輪箱主軸頭



● COOLANT THRU SPINDLE DEVICE  
主軸中心出水



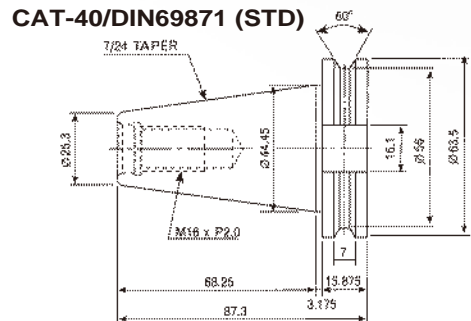
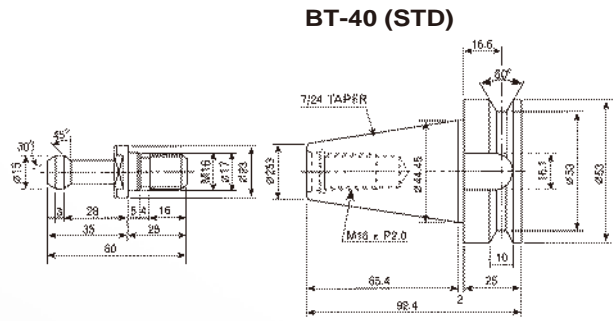
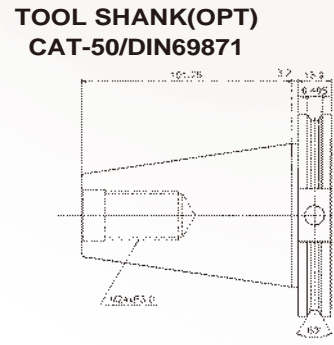
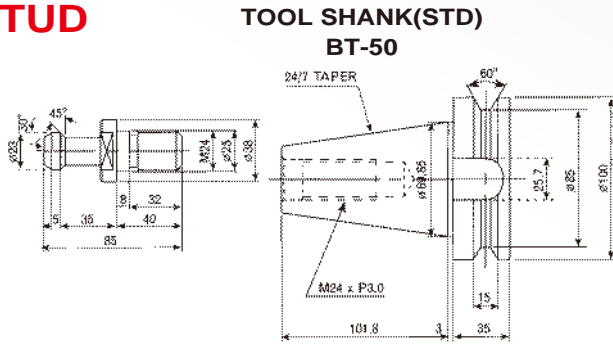
● AXIS LINEAR GLASS SCALES  
光學尺回饋



● CHAIN TYPE CHIP CONVEYOR  
履帶式排屑機

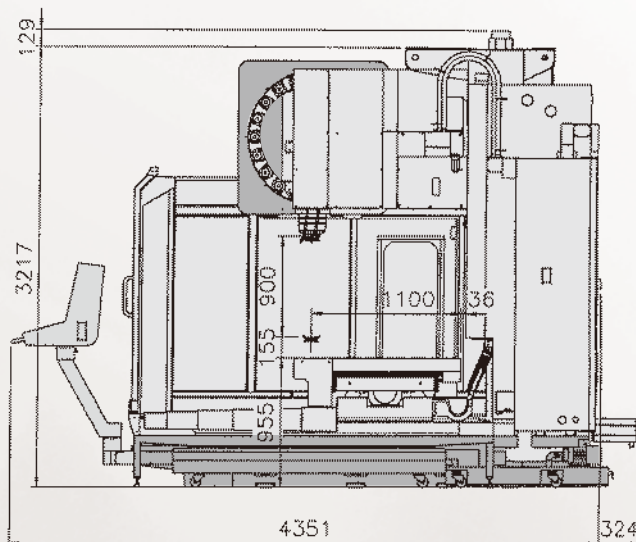
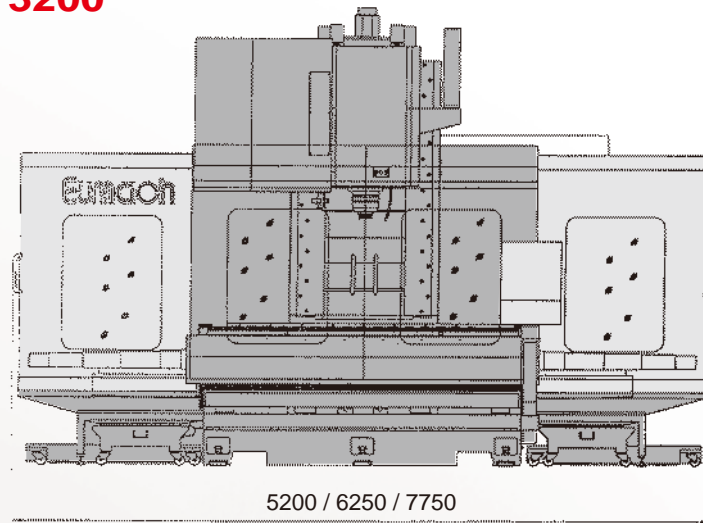
# PULL STUD, TOOL SHANK (拉拴及刀柄)

## PULL-STUD



# MACHINES DIMENSIONS (機器佔地尺寸)

## VMC-2150 / 2600 / 3200



# MACHINES SPECIFICATIONS (機械規格)

MODEL	機型	UNIT	VMC-2150	VMC-2600	VMC-3200
<b>TABLE:</b>	工作台				
OVERALL SIZE	工作台尺寸	MM	2200×1220	2650×1220	3250×1220
T SLOTS(SIZE×NO)	T 型槽 (尺寸×個數×距離)	MM	22×7×160		
MAXIMUM LOADING	荷重	KG	2500	3000	3500
<b>TRAVEL:</b>	行程				
X/Y/Z AXIS(OPT.)	X / Y / Z 軸 (選配)		2150/1100/900	2600/1100/900	3200/1100/900
<b>DISTANCES:</b>	距離				
SPINDLE TO COLUMN WAYS	主軸中心到立柱軌道面	MM	1136		
SPINDLE TO TABLE TOP	主軸鼻端到工作台面	MM	151-1051(186-1086)		
TABLE TO FLOOR	工作台面到地面	MM	875		
<b>SPINDLE:</b>	主軸				
TAPER	錐度	BT#	50(40)		
SPEED	轉速	RPM	6000(10000)		
FRONT BEARING DIAMETER	直徑	MM	90		
MOTOR	馬達馬力	KW	15/18.5~30/37		
<b>AXIS MOTORS: X/Y/Z</b>	三軸馬達 X / Y / Z				
POWER	功率	KW	4.8/7.4/4.8		
TORQUE	扭力	Nm	30/40/30		
<b>FEEDRATE: X/Y/Z</b>	速率 X / Y / Z				
CUTTING FEEDRATE	切削速率	MM/MIN	1-8000		
<b>RAPID FEEDRATE X/Y/Z:</b>	快速進給 X / Y / Z				
RAPID	快速	M/MIN	15/15/15		
MINIMUM SETTING	最小設定單位		0.001		
<b>ATC(AUTOMATIC TOOL CHANGER):</b>	自動換刀機構				
TYPE OF ATC	刀庫型式		ARM刀臂式		
NO.OF ATC	刀庫容量	TOOLS	24(32,40)		
MAX.TOOL(DIA/LENGTH)	最大刀徑/刀長	MM	250/300		
MAX.TOOL WEIGHT	最大刀重	KG	15		
TOOL TO TOOL	刀對刀	SEC.	10		
CHIP TO CHIP	換刀動作完成		18		
<b>BALLSCREWS ON 3 AXIS:</b>	三軸螺桿				
DIA.×PITCH	直徑×截短	MM×MM	63/63/63×10		
PRECISION CLASS	等級, 研磨精度		C3, 0.008		
<b>COOLANT &amp; LUBRICATION:</b>	冷卻及自動潤滑機構				
COOLANT MOTOR POWER	冷卻液馬達馬力	KW	0.86		
COOLANT TANK VOLUME	冷卻水箱容量	L	350		
COOLANT MOTOR CAPACITY	冷卻石浦流量	L/MIN	20		
LUBRICATION MOTOR POWER	自動注油器馬力	WATT	25×2		
LUBRICATION TANK VOLUME	自動注油器油箱容量		4		
<b>ACCURACY:</b>	精度				
POSITIONING	定位精度	MICRON/MM	± 5/300		
REPEATABILITY	重複精度	MICRON	3		
ROUNDNESS	循圓		10/300		
<b>MISCELLANEOUS:</b>	其它				
MACHINE NET WEIGHT	機械淨重	KG	21000	22000	24000
POWER REQUIRED	電力需求	KVA	35		
PNEUMATIC REQUIRED	機械所需空壓壓力	KG/CM <sup>2</sup>	7		

## ( ) OPTION 選配

### STANDARD FEATURES & ACCESSORIES:

1. TABLE SPLASH GUARD
2. 24 TOOLS ARM TYPE ATC
3. PROGRAMMABLE COOLANT SYSTEM
4. AUTOMATIC LUBRICATION SYSTEM
5. SPINDLE AIR BLAST SYSTEM
6. WORKING LAMP
7. ALARM LAMP FOR ABNORMAL SITUATION
8. INDICATION LAMP FOR DWELL & END OF JOB
9. LEVELLING BOLTS & PADS
10. BT#50 SPINDLE & ATC, HTD BELT HEAD
11. PRE-EXTENSIONED BALLSCREWS
12. RS-232 TERMINAL INTERFACE PORT
13. MACHINE & CONTROL MANUALS
14. TOOLBOX WITH SPANNERS & WRENCHES
15. SCREW CHIP CONVEYOR REAR SIDE OF SADDLE

### 標準功能：

1. 工作台防屑罩
2. 24把刀臂式刀庫
3. 可程式冷卻系統
4. 自動潤滑系統
5. 主軸吹氣裝置
6. 工作照明燈
7. 警示燈
8. 暫停與工作完成警示燈
9. 水平調整螺栓與基礎塊
10. BT-50主軸, HTD皮帶傳動
11. 三軸X/Y/Z螺桿預拉裝置
12. RS-232C介面
13. 操作及控制手冊
14. 工具箱
15. 螺旋式排屑機 (立柱與工作台間)



# EUMACH FAMILIES



• **VMC-2150**  
Vertical machine center  
400MM ~ 3200MM X axis travel



• **HSM-5X**  
5 Axis machine center  
1020MM x 610MM x 810MM travel



• **LBM-1500**  
High speed bridge type machine center  
1100MM ~ 2200MM X axis travel



• **MH-500**  
Horizontal machine center  
720MM x 650MM x 650MM travel



• **EBM-2150**  
5 Face machine center  
1400MM ~ 3200MM X axis travel



• **MB-1500**  
Moving column horizontal machine center  
1100MM ~ 2200MM X axis travel



• **FBM-10040**  
Floor type milling center  
4M~20M X axis travel



• **FBE-1500**  
Universal milling machine  
1500MM ~ 4000MM X axis travel



• **UMC-1000**  
5 Axis machine center  
1000MM x 800MM x 700MM travel

**Eumach Co.,LTD.**

新衛電腦機械股份有限公司

★ Specifications subject to change without notice.  
規格更改，恕不另行通知。

Catalogue No.A2090106

2, YING LIN LANE, HE-SHENG STREET, SHI-GANG DISTRICT, TAICHUNG CITY 422, TAIWAN, R.O.C.

台中市石岡區和盛里和盛街營林巷2號  
TEL:886-4-25810031 FAX:886-4-25810003

E-mail:eumach.coltd@msa.hinet.net ; eumach@ms8.hinet.net

http://www.eumach.com

