

Eumash

Always Step Ahead



VMC-1600

VERTICAL MACHINING CENTER

新衛立式綜合加工機

A PROFESSIONAL CNC MACHINES MANUFACTURER

Eumaoh

VMC-1600



▶ EXTRA WIDE INTERIOR SPACE
寬廣內部空間



- 1600MM/815MM/700MM TRAVEL (三軸行程)
- 15KW HIGH TORQUE SPINDLE (15KW高扭力主軸)
- 1700MM×815MM TABLE (工作台)
- STANDARD 20 TOOLS ARM ATC (標準刀臂式20刀自動換刀)
- 15000KG WEIGHT (機械重量)
- ABOVE PHOTOS FULL GUARD IS AN OPTION (照片中全密式鈹金是選配)

RIGID MEEHANITE® CASTING FRAMES WITHOUT DEFORMATION

高剛性、高扭力的機身設計

GUARANTEED ACCURACY 精度保證

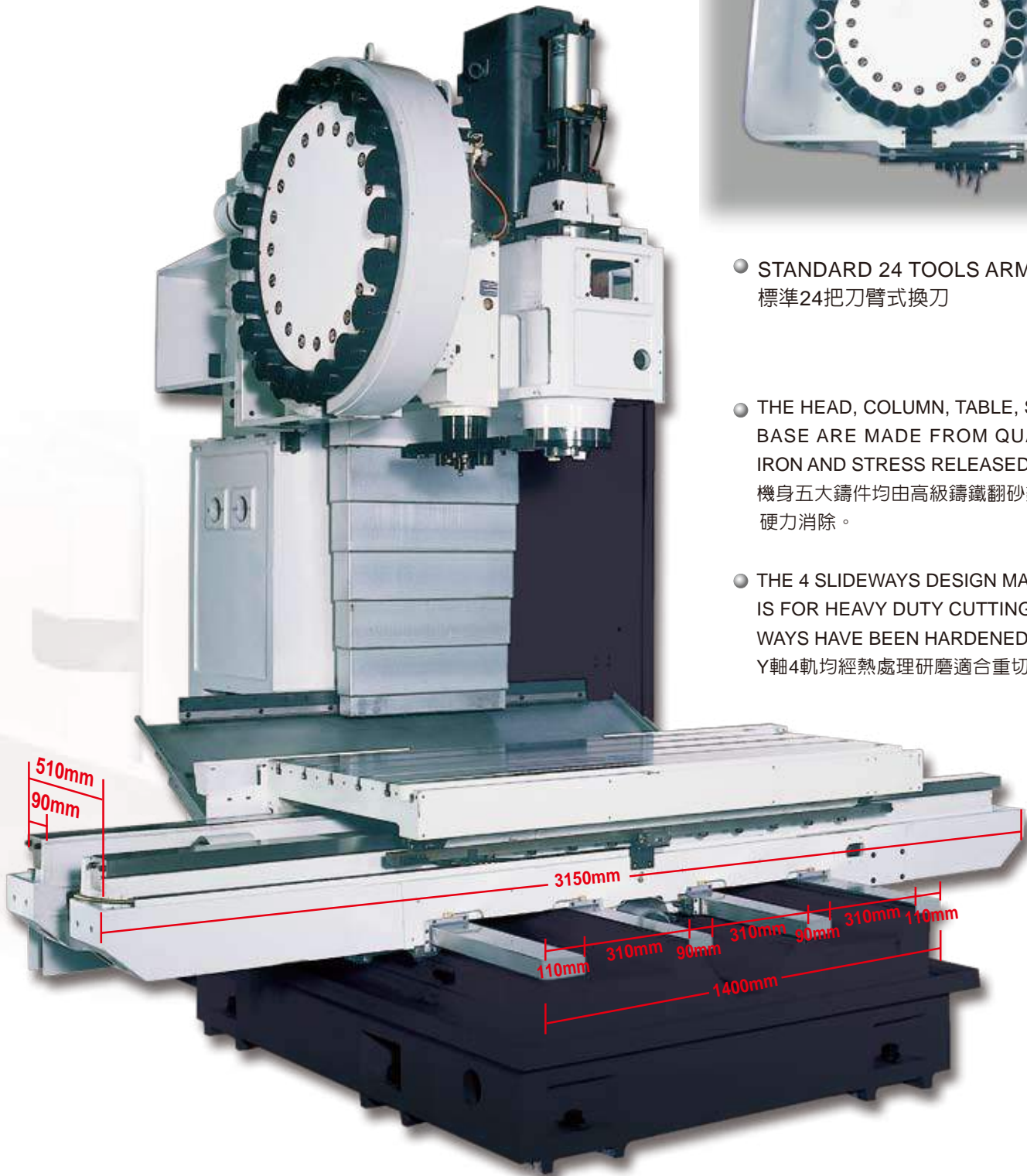
	JIS B 6338 檢 測	VDI 3441 檢 測
POSITIONING 定 位	±0.005MM/300MM	P0.014MM
REPEATABILITY 重 覆	±0.003MM	PS0.01MM



● STANDARD 24 TOOLS ARM ATC
標準24把刀臂式換刀

● THE HEAD, COLUMN, TABLE, SADDLE AND
BASE ARE MADE FROM QUALITY CAST
IRON AND STRESS RELEASED.
機身五大鑄件均由高級鑄鐵翻砂鑄造並經退火
硬力消除。

● THE 4 SLIDEWAYS DESIGN MACHINE BASE
IS FOR HEAVY DUTY CUTTING. ALL SLIDE-
WAYS HAVE BEEN HARDENED & GROUND.
Y軸4軌均經熱處理研磨適合重切削





- STANDARD TABLE GUARD
標準工作台防屑罩 (照片中32刀ATC為選配)



- STANDARD CHIP AUGER
(BETWEEN COLUMN & SADDLE)
標準螺旋式排旋機 (立柱與鞍座間)

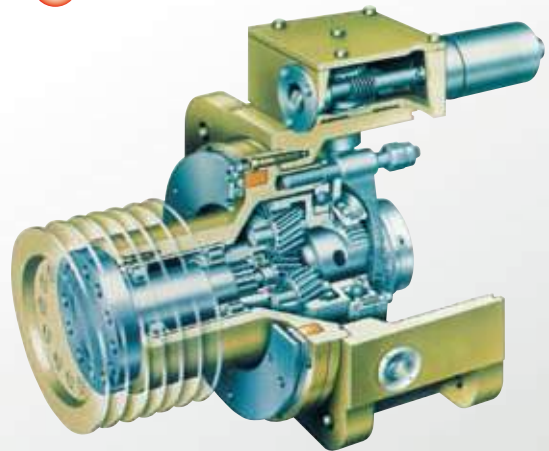
OPTIONAL GEARED HEAD CHOICES 齒輪頭之兩種選擇

1



- BUILT IN HEAD ALL GEARS
全齒輪式

2



- PLANETARY GEARBOX HEAD
行星式齒輪頭



- 4000RPM SPINDLE 齒輪式主軸
主軸前端軸承直徑100MM
FRONT BEARING DIA. 100MM



- 6000RPM HIGH SPEED SPINDLE 高速型主軸
主軸前端軸承直徑90MM
FRONT BEARING DIA. 90MM

SPECIFICATIONS

機械規格

CNC CONTROLS AVAILABLE

控制器可選擇

SPECIFICATIONS	機械規格	公制	單位
TABLE OVERALL SIZE	工作台尺寸	MM	1700×815
WORKING AREA	工作範圍	MM	1700×815
T-SLOTS(WIDTH / NO / PITCH)	T型槽 (寬度/數量/間距)	MM	18×5×150
TABLE MAX. LOADING	工作台最大荷重能力	KG	2000
X / Y / Z TRAVEL	X/Y/Z 三軸行程	MM	1600/815/700
SPINDLE TO COLUMN WAYS	主軸中心到立柱軌道面	MM	855
SPINDLE TO TABLE TOP	主軸鼻端到工作台面	MM	200-900
FLOOR TO TABLE SURFACE	工作台距地面高度	MM	850
SPINDLE TAPER	主軸錐度	BT#	50(40)
SPINDLE SPEED	主軸轉速	RPM	6000
FRONT BEARING DIAMETER	主軸培林直徑	MM	90
SPINDLE MOTOR	主軸馬達功率	KW	11/15
X / Y / Z SERVO MOTOR	X/Y/Z 軸馬達功率	KW	3.7
X / Y / Z CUTTING FEEDRATE	切削進給率	MM/MIN	1-8000
X / Y / Z RAPID TRAVERSE	三軸快速移動速度	MM/MIN	10/10/10
TYPE OF ATC	刀庫型式	ARM刀臂	
NO. OF ATC TOOLS	刀庫容量	支	20(32.40)
MAX. TOOL (DIA / LENGTH)	刀具最大直徑/長度	MM	125/400
MAX. TOOL WEIGHT	刀具最大重量	KG	15
TOOL TO TOOL	刀對刀	SEC.	3.5
CHIP TO CHIP	換刀動作完成	SEC.	10
DIA. × PITCH(X.Y.Z. AXIS)	螺桿直徑×節距	MM	50×10
PRECISION CLASS	螺桿精度	MM/300MM	C3 0.008
MACHINE WEIGHT	機械重量	KG	15000
POWER REQUIREMENT	電源需求	KVA	30
PNEUMATIC REQUIRED	空壓需求	KG/CM ²	7



SIEMENS 西門子
840D/828D



HEIDENHAIN 海德漢
TNC-i530



FANUC 發那科
Oi-MC/31i-MB



MITSUBISHI 三菱
M70

() OPTION 選配

● STANDARD ACCESSORIES (標準配件)

1. TABLE SPLASH GUARD. (半密式板金)
2. PRE-EXTENSIONED BALLSCREW. (預拉式滾珠螺桿)
3. AUTO LUBRICATION. (自動潤滑系統)
4. WORKING LAMP & ALARM LIGHT. (工作燈及警示燈)
5. HEAT EXCHANGER ON ELEC.CABINET. (電器箱加裝熱交換器)
- 6.LEVELLING PADS & BOLTS. (水平螺栓及腳墊)
- 7.ADJUSTING TOOLS & BOX.(工具箱)

● OPTIONAL ACCESSORIES (選購配件)

1. FULL SPLASH GUARD. (全密式板金)
2. COOLANT THRU SPINDLE. (主軸中心出水裝置)
3. COOLANT THRU TOOL HOLDER. (油路刀柄擋塊裝置)
4. AUTO TOOL LENGTH MEASUREMENT. (自動刀長量測裝置)
5. WORKPIECE PROBE. (RENISHAW MP-10/12) (工件量測系統)
6. BT#40 SPINDLE & 10000 RPM. (40號主軸及10000轉轉速)
7. M30 AUTO POWER OFF FUNCTION. (M30自動斷電功能)



EUMACH FAMILIES



◦ **VMC-2150**
Vertical machine center
400MM ~ 3200MM X axis travel



◦ **HSM-5X**
5 Axis machine center
1020MM x 610MM x 810MM travel



◦ **LBM-1500**
High speed bridge type machine center
1100MM ~ 2200MM X axis travel



◦ **MH-500**
Horizontal machine center
720MM x 650MM x 650MM travel



◦ **EBM-2150**
5 Face machine center
1400MM ~ 3200MM X axis travel



◦ **MB-1500**
Moving column horizontal machine center
1100MM ~ 2200MM X axis travel



◦ **FBM-10040**
Floor type milling center
4M~20M X axis travel



◦ **FBE-1500**
Universal milling machine
1500MM ~ 4000MM X axis travel



◦ **UMC-1000**
5 Axis machine center
1000MM x 800MM x 700MM travel

Eumach Co.,LTD.

新衛電腦機械股份有限公司

★ Specifications subject to change without notice.
規格更改，恕不另行通知。

Catalogue No.A2090108

2, YING LIN LANE, HE-SHENG STREET, SHI-GANG DISTRICT, TAICHUNG CITY 422, TAIWAN, R.O.C.

台中市石岡區和盛里和盛街營林巷2號

TEL:886-4-25810031 FAX:886-4-25810003

E-mail:eumach.coltd@msa.hinet.net ; eumach@ms8.hinet.net

http://www.eumach.com

